

8FG35N

8FD35N

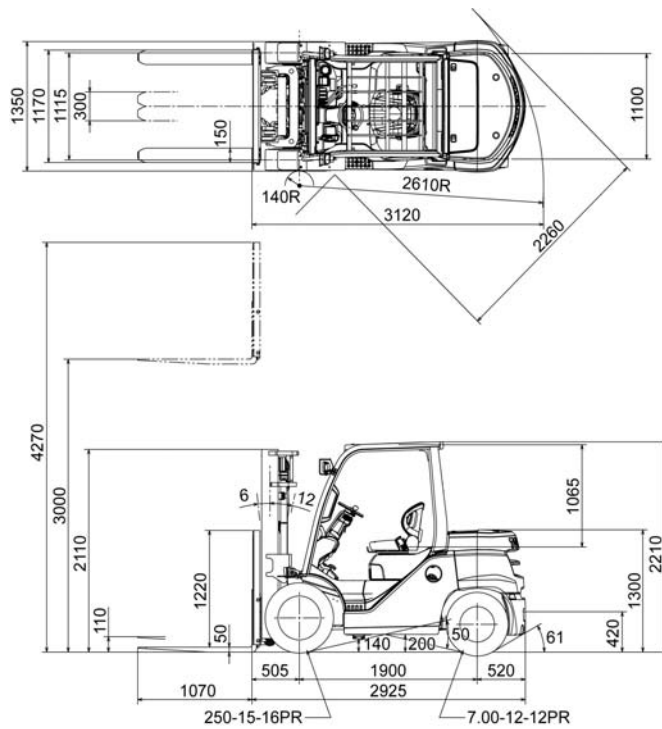
MAIN VEHICLE SPECIFICATIONS

				TOYOTA	TOYOTA		
Characteristics	Manufacturer			TOYOTA	TOYOTA		
	Model			8FG35N	8FD35N		
	Load Capacity	kg		3500 [4000]	3500 [4000]		
	Load Center	mm		600 [500]	600 [500]		
Power Type				Gasoline	Diesel		
Operator Position				Rider Seated	Rider Seated		
Characteristics	Tire Type	Front/Rear		Pneumatic	Pneumatic		
	Wheels (x = driven)	Front/Rear		2x/2	2x/2		
Dimensions	Maximum Fork Height (MFH)			3000	3000		
	Free Lift			110	110		
	Fork Size			T x W x L	50X150X1070	50X150X1070	
	Fork Spread (Outside)			MAX./MIN.	1170/300	1170/300	
	Tilt Range			FWD/BWD	deg	6/12	6/12
	Length to Fork Face			mm	2925	2925	
	Overall Width			mm	1350	1350	
	Mast Lowered Height			mm	2110	2110	
	Mast Extended Height			mm	4270	4270	
	Overhead Guard Height			mm	2210	2210	
	Turning Radius (Outside)			mm	2610	2610	
	Load Distance (Centerline of front axle to front face of forks)			mm	505	505	
	Rear Overhang			mm	520	520	
	Basic Right Angle Stacking Aisle Width (Add load length and clearance)			mm	3120	3120	
Performance	Speeds	Travel, Max. (FWD/RVS)	Full Load	km/h	23.0/23.0	22.0/22.0	
			No Load	km/h	24.0/24.0	23.0/23.0	
		Lifting	Full Load	mm/sec	525	510	
			No Load	mm/sec	550	550	
	Lowering	Full Load	mm/sec	530	530		
		No Load	mm/sec	480	480		
	Max. Drawbar Pull			Full Load	N <kg>	37000 <3780>	36000 <3670>
				No Load	N <kg>	13400 <1310>	13500 <1320>
Gradeability at 1.5km/h *			Full Load	% (tanθ)	34	32	
Max. Gradeability *			Full Load	% (tanθ)	43	42	
			No Load	% (tanθ)	24	24	
Weight	Total Weight			kg	5700	5800	
	Weight Distribution	Full Load	Front	kg	8090 [8670]	8135 [8710]	
			Rear	kg	1110 [1030]	1165 [1090]	
		No Load	Front	kg	2550	2595	
Rear			kg	3150	3205		
Wheels and Tires	Tires	Number	Front/Rear		2/2	2/2	
		Size	Front		250-15-16PR	250-15-16PR	
		Rear		7.00-12-12PR	7.00-12-12PR		
	Wheelbase			mm	1900	1900	
	Tread	Front		mm	1115	1115	
		Rear		mm	1100	1100	
	Backrest Height			mm	1220	1220	
	Overhead Guard Clearance			mm	1065	1065	
	Counterweight Height			mm	1300	1300	
	Drawbar Pin Center Height			mm	420	420	
	Step Height			mm	440	440	
	Floor Height			mm	760	760	
	Underclearance (Full Load)	Min. <Mast>		mm	120	120	
		Center of Wheelbase		mm	200	200	
Grade Clearance	Frame/Counterweight		% (tanθ)	50/61	50/61		
	Service (Foot)			Hydraulic	Hydraulic		
Brake	Parking			Hand	Hand		
	Battery			V/AH	12/48	12/64	
Drive Unit and Control	Make/Model			TOYOTA 1FS	TOYOTA 14Z-II		
	Internal Combustion Engine	Rated Horsepower/r.p.m.		kW (JIS ps)	65/2350 (88/2350)	56/2100 (76/2100)	
		Rated Torque/r.p.m.		N-m (JIS kg-m)	276/1600 (28.1/1600)	269/1600 (27.4/1600)	
	Number of Cylinder				4	6	
	Piston Displacement			cc	3685	5204	
	Fuel Tank Capacity			liter	90	90	
	Transmission	Type			Powershift	Powershift	
Stage		FWD/RVS			1/1	1/1	
Operating Pressure			For Attachments	Mpa (kg/cm ²)	18.1 (185)	18.1 (185)	

NOTE : * Computed values.
[] for 500 mm load center.

DIMENSIONAL DRAWINGS 8FG/8FD35N

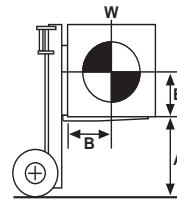
Unit: mm



UNDERCLEARANCE

	mm
Mast (Full Load).....	120
Drive Axle (Full Load)	170
Steer Axle (No Load)	210
Center of Wheelbase (Full Load).....	200
Counterweight (No Load)	200

RATED CAPACITIES 8FG/8FD35N



A: Max. Fork Height
B: Load Center
W: Capacity

V, FV Mast (PN or PSC)

Unit: kg (W)

A (mm)	3000	3300	3500	3700	4000	4500	5000
[500]	[4000]	[4000]	[4000]	[4000]	[4000]	[4000]	[3800]
600	3500	3500	3500	3500	3500	3500	3500
700	3210	3210	3210	3210	3210	3210	3210
760	3060	3060	3060	3060	3060	3060	3060
800	2960	2960	2960	2960	2960	2960	2960
900	2750	2750	2750	2750	2750	2750	2750
1000	2570	2570	2570	2570	2570	2570	2570
1100	2410	2410	2410	2410	2410	2410	2410
1200	2270	2270	2270	2270	2270	2270	2270
1300	2140	2140	2140	2140	2140	2140	2140
1400	2030	2030	2030	2030	2030	2030	2030
1500	1930	1930	1930	1930	1930	1930	1930

[] for 500 mm load center.

FSV Mast (PN or PSC)

Unit: kg (W)

A (mm)	4000	4300	4500	4700	5000	5500	6000	6500	7000
[500]	[4000]	[3800]	[3700]	[3700]	[3600]	[3000]	[2200]	[1300]	[700]
600	3500	3500	3500	3500	3400	2800	2100	1300	700
700	3220	3220	3220	3220	3120	2570	1930	1190	640
760	3070	3070	3070	3070	2980	2450	1840	1140	610
800	2980	2980	2980	2980	2890	2380	1790	1110	600
900	2770	2770	2770	2770	2690	2210	1660	1030	550
1000	2590	2590	2590	2590	2510	2070	1550	960	520
1100	2430	2430	2430	2430	2360	1940	1460	900	490
1200	2290	2290	2290	2290	2220	1830	1370	850	460
1300	2160	2160	2160	2160	2100	1730	1300	800	430
1400	2050	2050	2050	2050	1990	1640	1230	760	410
1500	1950	1950	1950	1950	1900	1560	1170	730	390

< > for dual tire models (PN or PSC)

[] for 500 mm load center.

SPECIAL TREAD

Model		8FG/8FD35N			
Front Tire	Single/Dual	Single	Single	Dual	Dual
Front Tire Size		250-15-16PR	250-15	28x8-15-12PR	7.00-15
Overall Width	mm	1350	1350	1690	1690
Tread, Front	mm	1115	1115	1260	1260

SPECIAL MAST

Wide Visible Full-Free Lift Two-Stage Mast (FV), Wide Visible Full-Free Lift Three-Stage Mast (FSV)

Model		8FG35N		8FD35N		8FG35N		8FD35N	
Type of Mast		FV				FSV			
PERFORMANCE									
Speeds	Lifting	Full Load	mm/sec	520	520	510	480		
		No Load	mm/sec	530	530	520	520		
	Lowering	Full Load	mm/sec	520	520	520	520		
		No Load	mm/sec	470	470	470	470		
DIMENSIONS									
Load Distance		mm		505		535			
(Centerline of front axle to front face of forks)									

MAST SPECIFICATIONS & RATED CAPACITIES

Wide Visible Mast (V), Wide Visible Full-Free Lift Two-Stage Mast (FV), Wide Visible Full-Free Lift Three-Stage Mast (FSV)

8FG/8FD35N (Standard Model)

Mast Type	Maximum Fork Height	Overall Height			Free Lift		Single Tire			Dual Tire		
		Lowered	Extended		Without Load Backrest	With Standard Load Backrest	Tilt Range		Load Capacity at 600 mm [500 mm] LC	Tilt Range		Load Capacity at 600 mm [500 mm] LC
			Without Load Backrest	With Standard Load Backrest			FWD	BWD		FWD	BWD	
		mm	mm	mm	mm	mm	mm	deg	deg	kg	deg	deg
Wide Visible Mast (V)	3000	2110 <2200>	3850 <3690>	4270	110	110	6	12	3500 [4000]	6	12	3500 [4000]
	3300	2290 <2350>	4150 <3990>	4570	110	110	6	12	3500 [4000]	6	12	3500 [4000]
	3500	2390 <2450>	4350 <4190>	4770	110	110	6	12	3500 [4000]	6	12	3500 [4000]
	3700	2490 <2600>	4550 <4420>	4970	110	110	6	12	3500 [4000]	6	12	3500 [4000]
	4000	2740 <2800>	4850 <4770>	5270	110	110	6	12	3500 [4000]	6	12	3500 [4000]
	4500	2990 <3050>	5350 <5270>	5770	110	110	6	12	3500 [4000]	6	12	3500 [4000]
	5000	3240 <3300>	5850 <5770>	6270	110	110	6	6	3500 [3800] <3450 [3700]>	6	12	3500 [3800]
Wide Visible Full-Free Lift Two-Stage Mast (FV)	3000	2110	3880	4270	1280	890	6	12	3500 [4000]	6	12	3500 [4000]
	3300	2290	4180	4570	1460	1070	6	12	3500 [4000]	6	12	3500 [4000]
	3500	2390	4380	4770	1560	1170	6	12	3500 [4000]	6	12	3500 [4000]
	3700	2490	4580	4970	1660	1270	6	12	3500 [4000]	6	12	3500 [4000]
	4000	2740	4880	5270	1910	1520	6	12	3500 [4000]	6	12	3500 [4000]
Wide Visible Full-Free Lift Three-Stage Mast (FSV)	4000	2110	4880	5270	1280	890	6	6	3500 [4000]	6	6	3500 [4000]
	4300	2160	5180	5570	1330	940	6	6	3500 [3800]	6	6	3500 [3800]
	4500	2225	5380	5770	1395	1005	6	6	3500 [3700]	6	6	3500 [3700]
	4700	2290	5580	5970	1460	1070	6	6	3500 [3700]	6	6	3500 [3700]
	5000	2390	5880	6270	1560	1170	6	6	3400 [3600]	6	6	3400 [3600]
	5500	2540	6380	6770	1710	1320	6	6	2800 [3000]	6	6	3300 [3500]
	6000	2740	6880	7270	1910	1520	6	6	2100 [2200]	6	6	3200 [3400]
	6500	2990	7380	7770	2160	1770	6	6	1300 [1300]	6	6	2500 [2500]
7000	3240	7880	8270	2410	2020	6	6	700 [700]	6	6	1600 [1600]	

NOTE: Height of standard load backrest is 1220 mm.

< > for heavy-duty mast.

8FG/8FD35N (Cabin Series Model)

Mast Type	Maximum Fork Height	Single Tire	Dual Tire
		Tilt Range	
		BWD	BWD
mm	deg	deg	
Wide Visible Mast (V)	3000	10 (10) [8]	10 [8]
	3300	10 (10) [8]	10 [8]
	3500	10 (10) [8]	10 [8]
	3700	10 (10) [8]	10 [8]
	4000	10 (10) [8]	10 [8]
	4500	10 (10) [8]	10 [8]
	5000	6 (6) [6]	10 [8]
Wide Visible Full-Free Lift Two-Stage Mast (FV)	3000	10 [8]	10 [8]
	3300	10 [8]	10 [8]
	3500	10 [8]	10 [8]
	3700	10 [8]	10 [8]
	4000	10 [8]	10 [8]

NOTE: Data in "()" are for when A4 piping is selected.

Data in "[]" are for when Clamp Release Inter Lock [Q15A, Q15B, Q15C] is selected.

The FSV mast has no tilt-range restriction.

8FG40N

8FD40N

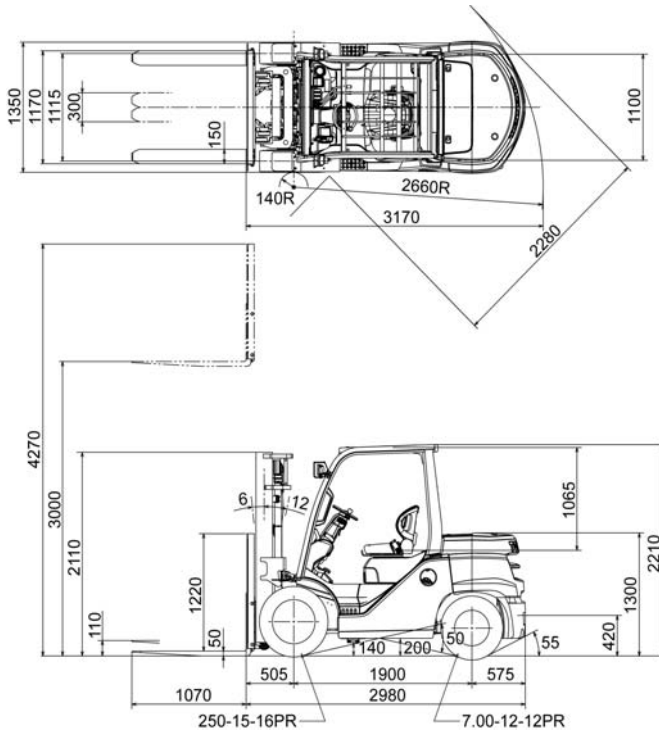
MAIN VEHICLE SPECIFICATIONS

			TOYOTA	TOYOTA	
Characteristics	Manufacturer			TOYOTA	
	Model			8FG40N	
	Load Capacity		kg	4000 [4500]	
	Load Center		mm	600 [500]	
	Power Type			Gasoline	
Operator Position				Rider Seated	
	Tire Type			Pneumatic	
	Wheels (x = driven)		Front/Rear	2x/2	
Dimensions	Maximum Fork Height (MFH)		mm	3000	
	Free Lift		mm	110	
	Fork Size		T x W x L	50X150X1070	
	Fork Spread (Outside)		MAX./MIN.	1170/300	
	Tilt Range		FWD/BWD	deg	
	Length to Fork Face			2980	
	Overall Width			1350	
	Mast Lowered Height			2110	
	Mast Extended Height			4270	
	Overhead Guard Height			2210	
	Turning Radius (Outside)			2660	
	Load Distance (Centerline of front axle to front face of forks)			505	
	Rear Overhang			575	
	Basic Right Angle Stacking Aisle Width (Add load length and clearance)			3170	
	Performance	Speeds	Travel, Max. (FWD/RVS)	Full Load	km/h
No Load				km/h	24.0/24.0
Lifting			Full Load	mm/sec	525
			No Load	mm/sec	550
Lowering			Full Load	mm/sec	530
			No Load	mm/sec	480
Max. Drawbar Pull		Full Load	N <kg>	36000 <3670>	
		No Load	N <kg>	13000 <1270>	
Gradeability at 1.5km/h *		Full Load	% (tanθ)	32	
		Full Load	% (tanθ)	42	
Max. Gradeability *		No Load	% (tanθ)	21	
Weight	Total Weight		kg	6070	
	Weight Distribution	Full Load	Front	kg	8810 [9360]
			Rear	kg	1260 [1210]
		No Load	Front	kg	2480
Rear			kg	3590	
Wheels and Tires	Tires		Number	Front/Rear	2/2
			Size	Front	250-15-16PR
				Rear	7.00-12-12PR
	Wheelbase			mm	1900
	Tread		Front	mm	1115
			Rear	mm	1100
	Backrest Height			mm	1220
	Overhead Guard Clearance			mm	1065
	Counterweight Height			mm	1300
	Drawbar Pin Center Height			mm	420
	Step Height			mm	440
	Floor Height			mm	760
	Underclearance (Full Load)		Min. <Mast>	mm	120
			Center of Wheelbase	mm	200
	Grade Clearance		Frame/Counterweight	% (tanθ)	50/55
Brake		Service (Foot)		Hydraulic	
		Parking		Hand	
Drive Unit and Control	Battery		V/AH	12/48	
	Internal Combustion Engine		Make/Model	TOYOTA 1FS	
			Rated Horsepower/r.p.m.	65/2350 (88/2350)	
			Rated Torque/r.p.m.	276/1600 (28.1/1600)	
			Number of Cylinder	4	
			Piston Displacement	cc	
			Fuel Tank Capacity	liter	
	Transmission		Type	Powershift	
			Stage	FWD/RVS	
	Operating Pressure		For Attachments	Mpa (kg/cm ²)	18.1 (185)

NOTE : * Computed values.
[] for 500 mm load center.

DIMENSIONAL DRAWINGS 8FG/8FD40N

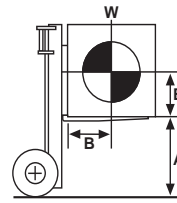
Unit: mm



UNDERCLEARANCE mm

Mast (Full Load).....	120
Drive Axle (Full Load)	170
Steer Axle (No Load)	210
Center of Wheelbase (Full Load).....	200
Counterweight (No Load)	200

RATED CAPACITIES 8FG/8FD40N



A: Max. Fork Height
B: Load Center
W: Capacity

V, FV Mast (PN or PSC)

A (mm)	3000	3300	3500	3700	4000	4500	5000	5500	6000	Unit: kg (W)
[500]	[4500]	[4500]	[4500]	[4500]	[4500]	[4500]	[4200]	[3250]	[2500]	[2500]
600	4000	4000	4000	4000	4000	4000	4000	3250	2500	<3300>
700	3670	3670	3670	3670	3670	3670	3670	2980	2280	<3200>
760	3490	3490	3490	3490	3490	3490	3490	2840	2180	<3480>
800	3390	3390	3390	3390	3390	3390	3390	2750	2120	<3320>
900	3150	3150	3150	3150	3150	3150	3150	2580	1970	<2990>
1000	2940	2940	2940	2940	2940	2940	2940	2390	1840	<2790>
1100	2750	2750	2750	2750	2750	2750	2750	2240	1720	<2200>
1200	2590	2590	2590	2590	2590	2590	2590	2110	1620	<2460>
1300	2450	2450	2450	2450	2450	2450	2450	1990	1530	<2330>
1400	2320	2320	2320	2320	2320	2320	2320	1890	1450	<2200>
1500	2200	2200	2200	2200	2200	2200	2200	1790	1380	<2090>

< > for dual tire models (PN or PSC)
[] for 500 mm load center.

FSV Mast (PN or PSC)

A (mm)	4000	4300	4500	4700	5000	5500	6000	6500	7000	Unit: kg (W)
[500]	[4500]	[4500]	[4500]	[4500]	[4500]	[4400]	[3500]	[1800]	[1000]	[1000]
600	4000	4000	4000	4000	4000	3500	2700	1800	1000	<2500>
700	3680	3680	3680	3680	3680	3220	2480	1650	920	<3300>
760	3510	3510	3510	3510	3510	3070	2370	1580	880	<3000>
800	3400	3400	3400	3400	3400	2980	2300	1530	850	<3680>
900	3160	3160	3160	3160	3160	2770	2140	1420	790	<3510>
1000	2960	2960	2960	2960	2960	2590	2000	1330	740	<3400>
1100	2780	2780	2780	2780	2780	2430	1870	1250	690	<2960>
1200	2620	2620	2620	2620	2620	2290	1770	1180	650	<2780>
1300	2470	2470	2470	2470	2470	2160	1670	1100	620	<2620>
1400	2350	2350	2350	2350	2350	2050	1580	1060	590	<3160>
1500	2230	2230	2230	2230	2230	1950	1510	1000	560	<2470>

< > for dual tire models (PN or PSC)
[] for 500 mm load center.

SPECIAL TREAD

Model	8FG/8FD40N				
Front Tire	Single/Dual	Single	Single	Dual	Dual
Front Tire Size		250-15-16PR	250-15	28x8-15-12PR	7.00-15
Overall Width	mm	1350	1350	1690	1690
Tread, Front	mm	1115	1115	1260	1260

SPECIAL MAST

Wide Visible Full-Free Lift Two-Stage Mast (FV), Wide Visible Full-Free Lift Three-Stage Mast (FSV)

Model	8FG40N	8FD40N	8FG40N	8FD40N			
Type of Mast	FV		FSV				
PERFORMANCE							
Speeds	Lifting	Full Load	mm/sec	520	520	510	480
		No Load	mm/sec	530	530	520	520
	Lowering	Full Load	mm/sec	520	520	520	520
		No Load	mm/sec	470	470	470	470
DIMENSIONS							
Load Distance	mm		505	535			
(Centerline of front axle to front face of forks)							

MAST SPECIFICATIONS & RATED CAPACITIES

Wide Visible Mast (V), Wide Visible Full-Free Lift Two-Stage Mast (FV), Wide Visible Full-Free Lift Three-Stage Mast (FSV)

8FG/8FD40N (Standard Model)

Mast Type	Maximum Fork Height	Overall Height			Free Lift		Single Tire			Dual Tire		
		Lowered	Extended		Without Load Backrest	With Standard Load Backrest	Tilt Range		Load Capacity at 600 mm [500 mm] LC Pneumatic Tire/ Pneumatic-Shaped Cushion Tire	Tilt Range		Load Capacity at 600 mm [500 mm] LC Pneumatic Tire/ Pneumatic-Shaped Cushion Tire
			Without Load Backrest	With Standard Load Backrest			FWD	BWD		FWD	BWD	
		mm	mm	mm	mm	mm	mm	deg	deg	kg	deg	deg
Wide Visible Mast (V)	3000	2110 <2200>	3850 <3690>	4270	110	110	6	12	4000 [4500]	6	12	4000 [4500]
	3300	2290 <2350>	4150 <3990>	4570	110	110	6	12	4000 [4500]	6	12	4000 [4500]
	3500	2390 <2450>	4350 <4190>	4770	110	110	6	12	4000 [4500]	6	12	4000 [4500]
	3700	2490 <2600>	4550 <4420>	4970	110	110	6	12	4000 [4500]	6	12	4000 [4500]
	4000	2740 <2800>	4850 <4770>	5270	110	110	6	12	4000 [4500]	6	12	4000 [4500]
	4500	2990 <3050>	5350 <5270>	5770	110	110	6	6	4000 [4500]	6	12	4000 [4500]
	5000	3240 <3300>	5850 <5770>	6270	110	110	6	6	4000 [4200] <4000 [4020]>	6	12	4000 [4400]
	5500	3540 <3550>	6350 <6270>	6770	110	110	6	6	3250 [3250]	6	12	3800 [4100]
6000	3790	6850	7270	110	110	6	6	2500 [2500]	6	12	3200 [3300]	
Wide Visible Full-Free Lift Two-Stage Mast (FV)	3000	2110	3880	4270	1280	890	6	12	4000 [4500]	6	12	4000 [4500]
	3300	2290	4180	4570	1460	1070	6	12	4000 [4500]	6	12	4000 [4500]
	3500	2390	4380	4770	1560	1170	6	12	4000 [4500]	6	12	4000 [4500]
	3700	2490	4580	4970	1660	1270	6	12	4000 [4500]	6	12	4000 [4500]
4000	2740	4880	5270	1910	1520	6	12	4000 [4500]	6	12	4000 [4500]	
Wide Visible Full-Free Lift Three-Stage Mast (FSV)	4000	2110	4880	5270	1280	890	6	6	4000 [4500]	6	6	4000 [4500]
	4300	2160	5180	5570	1330	940	6	6	4000 [4500]	6	6	4000 [4500]
	4500	2225	5380	5770	1395	1005	6	6	4000 [4500]	6	6	4000 [4500]
	4700	2290	5580	5970	1460	1070	6	6	4000 [4500]	6	6	4000 [4500]
	5000	2390	5880	6270	1560	1170	6	6	4000 [4400]	6	6	4000 [4400]
	5500	2540	6380	6770	1710	1320	6	6	3500 [3500]	6	6	4000 [4200]
	6000	2740	6880	7270	1910	1520	6	6	2700 [2700]	6	6	3300 [3300]
	6500	2990	7380	7770	2160	1770	6	6	1800 [1800]	6	6	2500 [2500]
7000	3240	7880	8270	2410	2020	6	6	1000 [1000]	6	6	1800 [1800]	

NOTE: Height of standard load backrest is 1220 mm.

< > for heavy-duty mast.

8FG/8FD40N (Cabin Series Model)

Mast Type	Maximum Fork Height	Single Tire	Dual Tire
		Tilt Range	
		BWD	BWD
		mm	deg
Wide Visible Mast (V)	3000	10 [8]	10 [8]
	3300	10 [8]	10 [8]
	3500	10 [8]	10 [8]
	3700	10 [8]	10 [8]
	4000	10 [8]	10 [8]
	4500	6	10 [8]
	5000	6	10 [8]
	5500	6	10 [8]
6000	6 [-]	10 [-]	
Wide Visible Full-Free Lift Two-Stage Mast (FV)	3000	10 [8]	10 [8]
	3300	10 [8]	10 [8]
	3500	10 [8]	10 [8]
	3700	10 [8]	10 [8]
4000	10 [8]	10 [8]	

NOTE: Data in "[]" are for when Clamp Release Inter Lock [Q15A, Q15B, Q15C] is selected.

The FSV mast has no tilt-range restriction.

8FG45N

8FD45N

MAIN VEHICLE SPECIFICATIONS

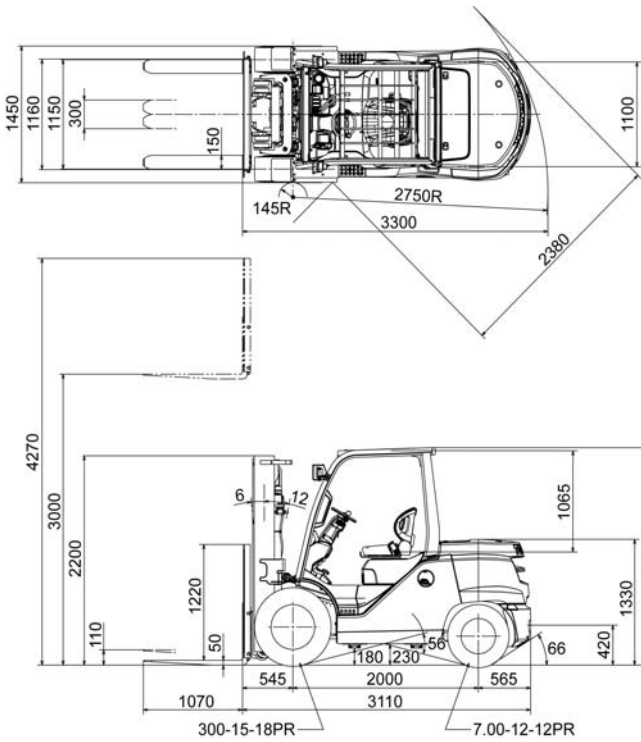
				TOYOTA	TOYOTA	
Characteristics	Manufacturer			8FG45N	8FD45N	
	Model			4500 [4990]	4500 [4990]	
	Load Capacity		kg	600 [500]	600 [500]	
	Load Center		mm	Gasoline	Diesel	
Operator Position			Rider Seated	Rider Seated		
Dimensions	Tire Type		Front/Rear	Pneumatic	Pneumatic	
	Wheels (x = driven)		Front/Rear	2x/2	2x/2	
	Maximum Fork Height (MFH)		mm	3000	3000	
	Free Lift		mm	110	110	
	Fork Size		T x W x L	50X150X1070	50X150X1070	
	Fork Spread (Outside)		MAX./MIN.	1160/300	1160/300	
	Tilt Range		FWD/BWD	6/12	6/12	
	Length to Fork Face		mm	3110	3110	
	Overall Width		mm	1450	1450	
	Mast Lowered Height		mm	2200	2200	
	Mast Extended Height		mm	4270	4270	
	Overhead Guard Height		mm	2300	2300	
	Turning Radius (Outside)		mm	2750	2750	
	Load Distance (Centerline of front axle to front face of forks)		mm	545	545	
	Rear Overhang		mm	565	565	
	Basic Right Angle Stacking Aisle Width (Add load length and clearance)		mm	3300	3300	
	Performance	Speeds	Travel, Max. (FWD/RVS)	Full Load	km/h	23.5/23.5
No Load				km/h	24.0/24.0	23.5/23.5
Lifting			Full Load	mm/sec	480	480
			No Load	mm/sec	520	520
Lowering			Full Load	mm/sec	540	540
			No Load	mm/sec	490	490
Max. Drawbar Pull		Full Load	N <kg>	36000 <3670>	37000 <3780>	
		No Load	N <kg>	15000 <1530>	15000 <1530>	
Gradeability at 1.5km/h *		Full Load	% (tanθ)	30	27	
Max. Gradeability *		Full Load	% (tanθ)	38	35	
		No Load	% (tanθ)	22	22	
Weight	Total Weight		kg	6610	6710	
	Weight Distribution	Full Load	Front	kg	9900 [10430]	9940 [10500]
			Rear	kg	1210 [1170]	1270 [1200]
		No Load	Front	kg	2830	2870
Rear			kg	3780	3840	
Wheels and Tires	Tires		Number	Front/Rear	2/2	
			Size	Front	300-15-18PR	300-15-18PR
				Rear	7.00-12-12PR	7.00-12-12PR
	Wheelbase		mm	2000	2000	
	Tread		Front	mm	1150	1150
			Rear	mm	1100	1100
	Backrest Height		mm	1220	1220	
	Overhead Guard Clearance		mm	1065	1065	
	Counterweight Height		mm	1330	1330	
	Drawbar Pin Center Height		mm	420	420	
	Step Height		mm	540	540	
	Floor Height		mm	855	855	
	Underclearance (Full Load)		Min. <Mast>	mm	120	120
			Center of Wheelbase	mm	230	230
	Grade Clearance		Frame/Counterweight	% (tanθ)	56/66	56/66
Brake		Service (Foot)		Hydraulic	Hydraulic	
		Parking		Hand	Hand	
Drive Unit and Control	Battery		Voltage/Capacity (5HR)	V/AH	12/48	12/64
			Make/Model		TOYOTA 1FS	TOYOTA 14Z-II
	Internal		Rated Horsepower/r.p.m.	kW (JIS ps)	65/2350 (88/2350)	56/2100 (76/2100)
	Combustion		Rated Torque/r.p.m.	N-m (JIS kg-m)	276/1600 (28.1/1600)	269/1600 (27.4/1600)
	Engine		Number of Cylinder		4	6
			Piston Displacement	cc	3685	5204
			Fuel Tank Capacity	liter	120	120
	Transmission		Type		Powershift	Powershift
			Stage	FWD/RVS	1/1	1/1
	Operating Pressure		For Attachments	Mpa (kg/cm ²)	18.1 (185)	18.1 (185)

NOTE : * Computed values.
[] for 500 mm load center.

DIMENSIONAL DRAWINGS

8FG/8FD45N

Unit: mm

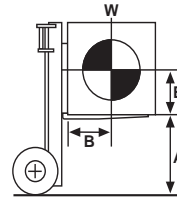


UNDERCLEARANCE mm

Mast (Full Load).....	120
Drive Axle (Full Load)	215
Steer Axle (No Load)	210
Center of Wheelbase (Full Load).....	230
Counterweight (No Load)	200

RATED CAPACITIES

8FG/8FD45N



A: Max. Fork Height
B: Load Center
W: Capacity

V, FV Mast (PN or PSC) Unit: kg (W)

A (mm)	3000	3300	3500	3700	4000	4500	5000	5500
[500]	[5000]	[5000]	[5000]	[5000]	[5000]	[5000]	[4000]	[3300]
	<4600>	<4200>	<4200>	<4200>	<4200>	<4200>	<4000>	<3300>
600	4500	4500	4500	4500	4500	4500	4000	3300
	<4400>	<4200>	<4200>	<4200>	<4200>	<4200>	<4000>	<3300>
700	4140	4140	4140	4140	4140	4140	3680	3030
	<4050>	<3860>	<3860>	<3860>	<3860>	<3860>	<4050>	<3860>
760	3950	3950	3950	3950	3950	3950	3510	2900
	<3860>	<3690>	<3690>	<3690>	<3690>	<3690>	<3860>	<3690>
800	3830	3830	3830	3830	3830	3830	3410	2810
	<3750>	<3580>	<3580>	<3580>	<3580>	<3580>	<3750>	<3580>
900	3570	3570	3570	3570	3570	3570	3170	2610
	<3490>	<3330>	<3330>	<3330>	<3330>	<3330>	<3490>	<3330>
1000	3330	3330	3330	3330	3330	3330	2960	2450
	<3260>	<3110>	<3110>	<3110>	<3110>	<3110>	<3260>	<3110>
1100	3130	3130	3130	3130	3130	3130	2780	2300
	<3060>	<2920>	<2920>	<2920>	<2920>	<2920>	<3060>	<2920>
1200	2950	2950	2950	2950	2950	2950	2620	2170
	<2890>	<2760>	<2760>	<2760>	<2760>	<2760>	<2890>	<2760>
1300	2790	2790	2790	2790	2790	2790	2480	2050
	<2730>	<2610>	<2610>	<2610>	<2610>	<2610>	<2730>	<2610>
1400	2650	2650	2650	2650	2650	2650	2350	1940
	<2590>	<2470>	<2470>	<2470>	<2470>	<2470>	<2590>	<2470>
1500	2520	2520	2520	2520	2520	2520	2240	1850
	<2460>	<2350>	<2350>	<2350>	<2350>	<2350>	<2460>	<2350>

< > for dual tire models (PN or PSC)
[] for 500 mm load center.

FSV Mast (PN or PSC) Unit: kg (W)

A (mm)	4000	4300	4500	4700	5000	5500	6000	6500
[500]	[5000]	[4900]	[4500]	[4500]	[4000]	[3000]	[2300]	[1500]
	<4700>	<4600>	<4700>	<4700>	<4600>	<4400>	<4200>	<2700>
600	4500	4500	4200	4200	4000	3000	2300	1500
	<4400>	<4400>	<4300>	<4300>	<4100>	<3900>	<3900>	<2700>
700	4150	4150	3870	3870	3690	2760	2120	1380
	<4050>	<4050>	<3960>	<3960>	<3780>	<3590>	<3590>	<2490>
760	3960	3960	3700	3700	3520	2640	2020	1320
	<3870>	<3870>	<3780>	<3780>	<3610>	<3430>	<3430>	<2380>
800	3850	3850	3590	3590	3420	2560	1970	1280
	<3760>	<3760>	<3670>	<3670>	<3500>	<3330>	<3330>	<2310>
900	3580	3580	3350	3350	3190	2390	1830	1190
	<3510>	<3510>	<3430>	<3430>	<3270>	<3110>	<3110>	<2150>
1000	3360	3360	3130	3130	2980	2240	1720	1120
	<3280>	<3280>	<3210>	<3210>	<3060>	<2910>	<2910>	<2010>
1100	3160	3160	2950	2950	2810	2160	1610	1050
	<3090>	<3090>	<3020>	<3020>	<2880>	<2740>	<2740>	<1890>
1200	2980	2980	2780	2780	2650	1990	1520	990
	<2910>	<2910>	<2850>	<2850>	<2710>	<2580>	<2580>	<1790>
1300	2820	2820	2630	2630	2510	1880	1440	940
	<2760>	<2760>	<2690>	<2690>	<2570>	<2440>	<2440>	<1690>
1400	2680	2680	2500	2500	2380	1780	1370	890
	[2620]	[2620]	[2560]	[2560]	[2440]	[2320]	[2320]	[1610]
1500	2550	2550	2380	2380	2270	1700	1300	850
	<2490>	<2490>	<2430>	<2430>	<2320>	<2210>	<2210>	<1530>

< > for dual tire models (PN or PSC)
[] for 500 mm load center.

SPECIAL TREAD

Model		8FG/8FD45N			
Front Tire	Single/Dual	Single	Single	Dual	Dual
Front Tire Size		300-15-18PR	300-15	8.25-15-14PR	8.25-15
Overall Width	mm	1450	1450	1890	1890
Tread, Front	mm	1150	1150	1385	1385

SPECIAL MAST

Wide Visible Full-Free Lift Two-Stage Mast (FV), Wide Visible Full-Free Lift Three-Stage Mast (FSV)

Model	8FG45N	8FD45N	8FG45N	8FD45N
Type of Mast	FV		FSV	

PERFORMANCE

			8FG45N	8FD45N	8FG45N	8FD45N	
Speeds	Lifting	Full Load	mm/sec	460	460	475	445
		No Load	mm/sec	480	480	480	480
	Lowering	Full Load	mm/sec	500	500	520	520
		No Load	mm/sec	450	450	470	470

DIMENSIONS

Load Distance	mm	8FG45N	8FD45N
(Centerline of front axle to front face of forks)		545	575

MAST SPECIFICATIONS & RATED CAPACITIES

Wide Visible Mast (V), Wide Visible Full-Free Lift Two-Stage Mast (FV), Wide Visible Full-Free Lift Three-Stage Mast (FSV)

8FG/8FD45N (Standard Model)

Mast Type	Maximum Fork Height	Overall Height			Free Lift		Single Tire			Dual Tire		
		Lowered	Extended		Without Load Backrest	With Standard Load Backrest	Tilt Range		Load Capacity at 600 mm [500 mm] LC	Tilt Range		Load Capacity at 600 mm [500 mm] LC
			Without Load Backrest	With Standard Load Backrest			FWD	BWD		FWD	BWD	
		mm	mm	mm	mm	mm	mm	deg	deg	kg	deg	deg
Wide Visible Mast (V)	3000	2200	3690	4270	110	110	6	12	4500 [5000]	6	12	4500 [5000]
	3300	2350	3990	4570	110	110	6	12	4500 [5000]	6	12	4500 [5000]
	3500	2450	4190	4770	110	110	6	12	4500 [5000]	6	12	4500 [5000]
	3700	2600	4420	4970	110	110	6	12	4500 [5000]	6	12	4500 [5000]
	4000	2800	4770	5270	110	110	6	12	4500 [5000]	6	12	4500 [5000]
	4500	3050	5270	5770	110	110	6	6	4500 [5000]	6	12	4500 [5000]
	5000	3300	5770	6270	110	110	6	6	4000 [4000]	6	12	4400 [4600]
5500	3550	6270	6770	110	110	6	6	3300 [3300]	6	12	4200 [4200]	
Wide Visible Full-Free Lift Two-Stage Mast (FV)	3000	2200	3740	4270	1510	980	6	12	4500 [5000]	6	12	4500 [5000]
	3300	2350	4040	4570	1660	1130	6	12	4500 [5000]	6	12	4500 [5000]
	3500	2450	4240	4910	1760	1230	6	12	4500 [5000]	6	12	4500 [5000]
	3700	2600	4440	4970	1910	1380	6	12	4500 [5000]	6	12	4500 [5000]
	4000	2800	4740	5270	2110	1580	6	12	4500 [5000]	6	12	4500 [5000]
Wide Visible Full-Free Lift Three-Stage Mast (FSV)	4000	2120	4740	5270	1430	900	6	6	4500 [5000]	6	6	4500 [5000]
	4300	2200	5040	5570	1510	980	6	6	4500 [4900]	6	6	4500 [4900]
	4500	2270	5240	5770	1580	1030	6	6	4200 [4500]	6	6	4400 [4700]
	4700	2350	5440	5970	1660	1130	6	6	4200 [4500]	6	6	4400 [4700]
	5000	2450	5740	6270	1760	1230	6	6	4000 [4000]	6	6	4300 [4600]
	5500	2600	6240	6770	1910	1380	6	6	3000 [3000]	6	6	4100 [4400]
	6000	2800	6740	7270	2110	1580	6	6	2300 [2300]	6	6	3900 [4200]
6500	3050	7240	7770	2360	1830	6	6	1500 [1500]	6	6	2700 [2700]	

NOTE: Height of standard load backrest is 1220 mm.

8FG/8FD45N (Cabin Series Model)

Mast Type	Maximum Fork Height	Single Tire	Dual Tire
		Tilt Range	
		BWD	BWD
mm	deg	deg	
Wide Visible Mast (V)	3000	10 (8) [8]	10 (8) [8]
	3300	10 (10) [8]	10 [8]
	3500	10 (10) [8]	10 [8]
	3700	10 (10) [8]	10 [8]
	4000	10 (10) [8]	10 [8]
	4500	6 (6) [6]	10 [8]
	5000	6 (6) [6]	10 [8]
5500	6 (6) [6]	10 [8]	
Wide Visible Full-Free Lift Two-Stage Mast (FV)	3000	8 [8]	8 [8]
	3300	10 [8]	10 [8]
	3500	10 [8]	10 [8]
	3700	10 [8]	10 [8]
4000	10 [8]	10 [8]	

NOTE: Data in "()" are for when A4 piping is selected.

Data in "[]" are for when Clamp Release Inter Lock [Q15A, Q15B, Q15C] is selected.

The FSV mast has no tilt-range restriction.

8FG50N

8FD50N

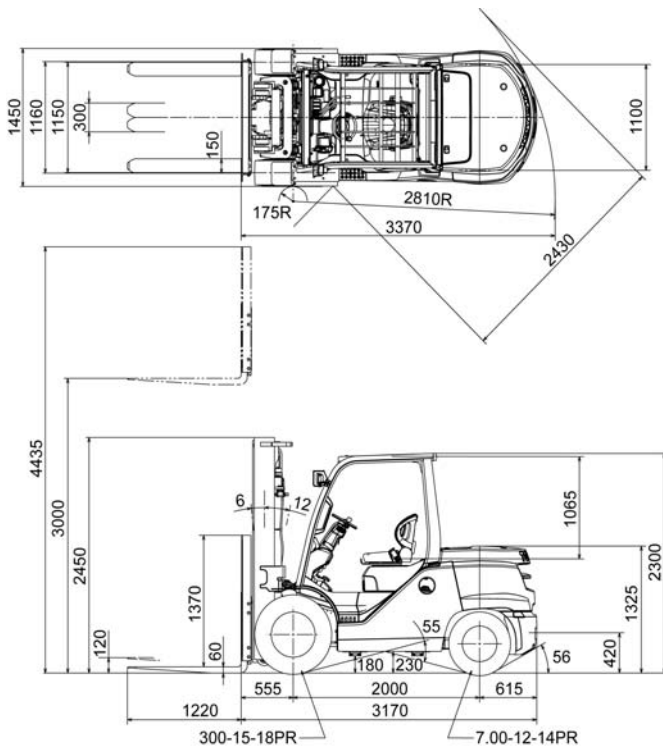
MAIN VEHICLE SPECIFICATIONS

				TOYOTA	TOYOTA		
Characteristics	Manufacturer			TOYOTA	TOYOTA		
	Model			8FG50N	8FD50N		
	Load Capacity			5000	5000		
	Load Center			600	600		
Characteristics	Power Type			Gasoline	Diesel		
	Operator Position			Rider Seated	Rider Seated		
	Tire Type		Front/Rear	Pneumatic			
	Wheels (x = driven)		Front/Rear	2x/2			
Dimensions	Maximum Fork Height (MFH)			3000	3000		
	Free Lift			120	120		
	Fork Size			T x W x L	60X150X1220		
	Fork Spread (Outside)			MAX./MIN.	1160/300		
	Tilt Range			FWD/BWD	6/12		
	Length to Fork Face			3170	3170		
	Overall Width			1450	1450		
	Mast Lowered Height			2450	2450		
	Mast Extended Height			4435	4435		
	Overhead Guard Height			2300	2300		
	Turning Radius (Outside)			2810	2810		
	Load Distance (Centerline of front axle to front face of forks)			555	555		
	Rear Overhang			615	615		
	Basic Right Angle Stacking Aisle Width (Add load length and clearance)			3370	3370		
Performance	Speeds	Travel, Max. (FWD/RVS)	Full Load	km/h	23.5/23.5	22.5/22.5	
			No Load	km/h	24.0/24.0	23.5/23.5	
		Lifting	Full Load	mm/sec	490	480	
			No Load	mm/sec	520	520	
	Lowering	Full Load	mm/sec	540	540		
		No Load	mm/sec	490	490		
	Max. Drawbar Pull			Full Load	N <kg>	36000 <3670>	35400 <3600>
	Gradeability at 1.5km/h *			No Load	N <kg>	16000 <1630>	16000 <1630>
Max. Gradeability *			Full Load	% (tanθ)	23	22	
			No Load	% (tanθ)	31	30	
Weight	Total Weight			kg	7140	7240	
	Weight Distribution	Full Load	Front	kg	10880	10930	
			Rear	kg	1260	1310	
		No Load	Front	kg	3000	3045	
Rear			kg	4140	4195		
Wheels and Tires	Tires		Number	Front/Rear	2/2		
			Size	Front	300-15-18PR		
				Rear	7.00-12-14PR		
	Wheelbase			mm	2000	2000	
	Tread			Front	mm	1150	
				Rear	mm	1100	
	Backrest Height			mm	1370	1370	
	Overhead Guard Clearance			mm	1065	1065	
	Counterweight Height			mm	1325	1325	
	Drawbar Pin Center Height			mm	420	420	
	Step Height			mm	540	540	
	Floor Height			mm	855	855	
	Underclearance (Full Load)			Min. <Mast>	mm	120	
				Center of Wheelbase	mm	230	
Grade Clearance			Frame/Counterweight	% (tanθ)	55/56		
Brake			Service (Foot)		Hydraulic		
			Parking		Hand		
Drive Unit and Control	Battery			Voltage/Capacity (5HR)	V/AH	12/48	
				Make/Model		TOYOTA 1FS	
				Rated Horsepower/r.p.m.	kW (JIS ps)	65/2350 (88/2350)	
				Rated Torque/r.p.m.	N-m (JIS kg-m)	276/1600 (28.1/1600)	
				Number of Cylinder		4	
				Piston Displacement	cc	3685	
				Fuel Tank Capacity	liter	120	
				Type		Powershift	
			Stage	FWD/RVS	1/1		
Operating Pressure			For Attachments	Mpa (kg/cm ²)	18.1 (185)		

NOTE : * Computed values.

DIMENSIONAL DRAWINGS 8FG/8FD50N

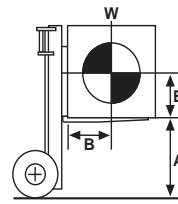
Unit: mm



UNDERCLEARANCE mm

Mast (Full Load).....	120
Drive Axle (Full Load)	210
Steer Axle (No Load)	210
Center of Wheelbase (Full Load).....	230
Counterweight (No Load)	200

RATED CAPACITIES 8FG/8FD50N



A: Max. Fork Height
B: Load Center
W: Capacity

V Mast (PN or PSC)		Unit: kg (W)									
A (mm)		2500	2700	3000	3300	3500	3700	4000	4500	5000	
600	5000	5000	5000	5000	5000	5000	5000	5000	5000	5000	4000
700	4600	4600	4600	4600	4600	4600	4600	4600	4600	4600	3680
760	4390	4390	4390	4390	4390	4390	4390	4390	4390	4390	3510
800	4260	4260	4260	4260	4260	4260	4260	4260	4260	4260	3410
900	3970	3970	3970	3970	3970	3970	3970	3970	3970	3970	3180
B (mm)	1000	3710	3710	3710	3710	3710	3710	3710	3710	3710	2970
1100	3490	3490	3490	3490	3490	3490	3490	3490	3490	3490	2790
1200	3290	3290	3290	3290	3290	3290	3290	3290	3290	3290	2630
1300	3110	3110	3110	3110	3110	3110	3110	3110	3110	3110	2490
1400	2950	2950	2950	2950	2950	2950	2950	2950	2950	2950	2380
1500	2810	2810	2810	2810	2810	2810	2810	2810	2810	2810	2250

< > for dual tire models (PN or PSC)

FSV Mast (PN or PSC)		Unit: kg (W)							
A (mm)		3700	4000	4300	4700	5000	5500	6000	
600	5000	4900	4800	4300	4100	3100	2400		
700	4610	4520	4430	3970	3780	2860	2210		
760	4410	4320	4230	3790	3610	2730	2110		
800	4280	4190	4110	3680	3510	2650	2050		
900	3990	3910	3830	3430	3270	2470	1920		
B (mm)	1000	3740	3660	3590	3210	3070	2320	1790	
1100	3520	3450	3380	3020	2880	2180	1690		
1200	3320	3250	3190	2850	2720	2060	1590		
1300	3140	3080	3020	2700	2580	1950	1510		
1400	2980	2930	2870	2570	2450	1850	1430		
1500	2840	2780	2730	2440	2330	1760	1360		

< > for dual tire models (PN or PSC)

SPECIAL TREAD

Model		8FG/8FD50N			
Front Tire	Single/Dual	Single	Single	Dual	Dual
Front Tire Size		300-15-18PR	300-15	8.25-15-14PR	8.25-15
Overall Width	mm	1450	1450	1890	1890
Tread, Front	mm	1150	1150	1385	1385

SPECIAL MAST

Wide Visible Full-Free Lift Three-Stage Mast (FSV)

Model		8FG50N	8FD50N
Type of Mast		FSV	

PERFORMANCE

Speeds	Lifting	Full Load	mm/sec	475	445
		No Load	mm/sec	480	480
	Lowering	Full Load	mm/sec	520	520
		No Load	mm/sec	470	470

DIMENSIONS

Load Distance (Centerline of front axle to front face of forks)	mm	585
--	----	-----

MAST SPECIFICATIONS & RATED CAPACITIES

Wide Visible Mast (V), Wide Visible Full-Free Lift Three-Stage Mast (FSV)

8FG/8FD50N

Mast Type	Maximum Fork Height	Overall Height			Free Lift		Single Tire			Dual Tire		
		Lowered	Extended		Without Load Backrest	With Standard Load Backrest	Tilt Range		Load Capacity at 600 mm LC	Tilt Range		Load Capacity at 600 mm LC
			Without Load Backrest	With Standard Load Backrest			FWD	BWD		Pneumatic Tire/ Pneumatic-Shaped Cushion Tire	FWD	
		mm	mm	mm	mm	deg			deg			kg
Wide Visible Mast (V)	2500	2200	3405	3935	125	125	6	12	5000	6	12	5000
	2700	2350	3605	4135	125	125	6	12	5000	6	12	5000
	3000	2450	3905	4435	125	125	6	12	5000	6	12	5000
	3300	2600	4205	4735	125	125	6	12	5000	6	12	5000
	3500	2800	4405	4935	125	125	6	12	5000	6	12	5000
	3700	2800	4605	5135	125	125	6	12	5000	6	12	5000
	4000	3050	4905	5435	125	125	6	12	5000	6	12	5000
	4500	3300	5405	5935	125	125	6	6	5000	6	12	5000
	5000	3550	5905	6435	125	125	6	6	4000	6	12	4800
Wide Visible Full-Free Lift Three-Stage Mast (FSV)	3700	2200	4635	5135	1330	830	6	6	5000	6	6	5000
	4000	2270	4935	5435	1400	900	6	6	4900	6	6	4900
	4300	2350	5235	5735	1480	980	6	6	4800	6	6	4800
	4700	2450	5635	6135	1580	1080	6	6	4300	6	6	4600
	5000	2600	5935	6435	1730	1230	6	6	4100	6	6	4500
	5500	2800	6435	6935	1930	1430	6	6	3100	6	6	4300
	6000	3050	6935	7435	2180	1680	6	6	2400	6	6	4100

NOTE: Height of standard load backrest is 1370 mm.

8FG/8FD50N (Cabin Series Model)

Mast Type	Maximum Fork Height	Single Tire	Dual Tire
		Tilt Range	
		BWD	BWD
mm	deg	deg	
Wide Visible Mast (V)	2500	10 [8]	10 [8]
	2700	10 [8]	10 [8]
	3000	10 [8]	10 [8]
	3300	10 [8]	10 [8]
	3500	10 [8]	10 [8]
	3700	10 [8]	10 [8]
	4000	10 [8]	10 [8]
	4500	6	10 [8]
	5000	6	10 [8]

NOTE: Data in "[]" are for when Clamp Release Inter Lock [Q15A, Q15B, Q15C] is selected. The FSV mast has no tilt-range restriction.

8FD60N

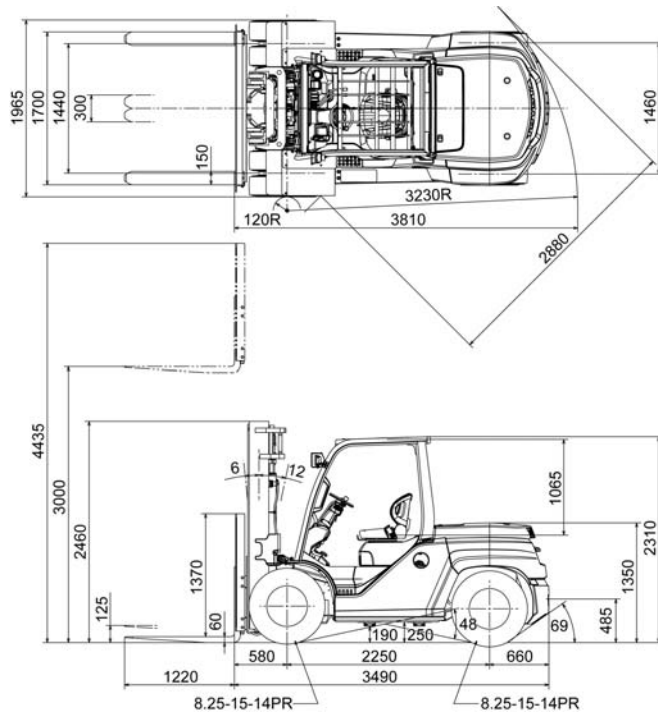
MAIN VEHICLE SPECIFICATIONS

Characteristics	Manufacturer			TOYOTA	
	Model			8FD60N	
	Load Capacity		kg	6000	
	Load Center		mm	600	
	Power Type			Diesel	
	Operator Position			Rider Seated	
Dimensions	Tire Type		Front/Rear	Pneumatic	
	Wheels (x = driven)		Front/Rear	4x/2	
	Maximum Fork Height (MFH)		mm	3000	
	Free Lift		mm	125	
	Fork Size		T x W x L	60X150X1220	
	Fork Spread (Outside)		MAX./MIN.	1700/300	
	Tilt Range		FWD/BWD	6/12	
	Length to Fork Face		mm	3490	
	Overall Width		mm	1965	
	Mast Lowered Height		mm	2460	
	Mast Extended Height		mm	4435	
	Overhead Guard Height		mm	2310	
	Turning Radius (Outside)		mm	3230	
	Load Distance (Centerline of front axle to front face of forks)		mm	580	
	Rear Overhang		mm	660	
Basic Right Angle Stacking Aisle Width (Add load length and clearance)		mm	3810		
Performance	Speeds	Travel, Max. (FWD/RVS)	Full Load	km/h	19.0/19.0
			No Load	km/h	20.5/20.5
		Lifting	Full Load	mm/sec	410
			No Load	mm/sec	440
	Lowering	Full Load	mm/sec	530	
		No Load	mm/sec	480	
	Max. Drawbar Pull	Full Load	N <kg>	46000 <4690>	
		No Load	N <kg>	20500 <2090>	
Gradeability at 1.5km/h *	Full Load	% (tanθ)	24		
	Full Load	% (tanθ)	34		
Max. Gradeability *	Full Load	% (tanθ)	24		
	No Load	% (tanθ)	24		
Weight	Total Weight		kg	8390	
	Weight Distribution	Full Load	Front	kg	12860
			Rear	kg	1530
		No Load	Front	kg	3715
Rear			kg	4675	
Wheels and Tires	Tires	Number	Front/Rear	4/2	
		Size	Front	8.25-15-14PR	
			Rear	8.25-15-14PR	
	Wheelbase		mm	2250	
	Tread	Front	mm	1440	
		Rear	mm	1460	
	Backrest Height		mm	1370	
	Overhead Guard Clearance		mm	1065	
	Counterweight Height		mm	1350	
	Drawbar Pin Center Height		mm	485	
	Step Height		1st/2nd	295/545	
	Floor Height		mm	860	
	Underclearance (Full Load)	Min. <Mast>	mm	125	
		Center of Wheelbase	mm	250	
	Grade Clearance		Frame/Counterweight	% (tanθ)	48/69
Brake	Service (Foot)		Hydraulic		
	Parking		Hand		
Drive Unit and Control	Battery		V/AH	12/64	
	Internal Combustion Engine			TOYOTA 14Z-II	
	Rated Horsepower/r.p.m.		kW (JIS ps)	66/2400 (90/2400)	
	Rated Torque/r.p.m.		N-m (JIS kg-m)	325/1000 (33.2/1000)	
	Number of Cylinder			6	
	Piston Displacement		cc	5204	
	Fuel Tank Capacity		liter	130	
	Transmission		Type	Powershift	
		Stage	FWD/RVS		
Operating Pressure		For Attachments	Mpa (kg/cm ²)	20.6 (210)	

NOTE : * Computed values.

DIMENSIONAL DRAWINGS 8FD60N

Unit: mm

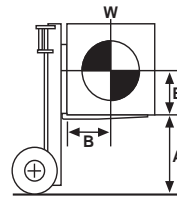


UNDERCLEARANCE

mm

Mast (Full Load).....	125
Drive Axle (Full Load)	215
Steer Axle (No Load)	270
Center of Wheelbase (Full Load).....	250
Counterweight (No Load)	225

RATED CAPACITIES 8FD60N



A: Max. Fork Height
 B: Load Center
 W: Capacity

V Mast (PN or PSC)

Unit: kg (W)

A (mm)	3000	3300	3500	3700	4000	4500	5000	5500	6000
600	6000	6000	6000	6000	6000	6000	6000	6000	5700
700	5530	5530	5530	5530	5530	5530	5530	5530	5250
760	5280	5280	5280	5280	5280	5280	5280	5280	5020
800	5130	5130	5130	5130	5130	5130	5130	5130	4870
900	4780	4780	4780	4780	4780	4780	4780	4780	4540
1000	4480	4480	4480	4480	4480	4480	4480	4480	4260
1100	4210	4210	4210	4210	4210	4210	4210	4210	4000
1200	3980	3980	3980	3980	3980	3980	3980	3980	3780
1300	3770	3770	3770	3770	3770	3770	3770	3770	3580
1400	3580	3580	3580	3580	3580	3580	3580	3580	3400
1500	3400	3400	3400	3400	3400	3400	3400	3400	3230

FSV Mast (PN or PSC)

Unit: kg (W)

A (mm)	4000	4300	4700	5000	6000	7000
600	5700	5700	5500	5500	5200	3700
700	5270	5270	5080	5080	4800	3420
760	5040	5040	4860	4860	4590	3270
800	4890	4890	4720	4720	4470	3180
900	4570	4570	4410	4410	4170	2970
1000	4290	4290	4140	4140	3910	2780
1100	4040	4040	3900	3900	3680	2620
1200	3820	3820	3680	3680	3480	2480
1300	3620	3620	3490	3490	3300	2350
1400	3440	3440	3320	3320	3140	2230
1500	3270	3270	3160	3160	2990	2130

SPECIAL TREAD

Model		8FD60N	
Front Tire	Single/Dual	Dual	Dual
Front Tire Size		8.25-15-14PR	8.25-15
Overall Width	mm	1965	1965
Tread, Front	mm	1440	1440

SPECIAL MAST

Wide Visible Full-Free Lift Three-Stage Mast (FSV)

Model		8FD60N		
Type of Mast		FSV		
PERFORMANCE				
Speeds	Lifting	Full Load	mm/sec	400
		No Load	mm/sec	430
	Lowering	Full Load	mm/sec	490
		No Load	mm/sec	460
DIMENSIONS				
Load Distance (Centerline of front axle to front face of forks)		mm	615	

MAST SPECIFICATIONS & RATED CAPACITIES

Wide Visible Mast (V), Wide Visible Full-Free Lift Three-Stage Mast (FSV)

8FD60N

Mast Type	Maximum Fork Height	Overall Height			Free Lift		Dual Tire		
		Lowered	Extended		Without Load Backrest	With Standard Load Backrest	Tilt Range		Load Capacity at 600 mm LC Pneumatic Tire/ Pneumatic-Shaped Cushion Tire
			Without Load Backrest	With Standard Load Backrest			FWD	BWD	
		mm	mm	mm	mm	mm	mm	deg	deg
Wide Visible Mast (V)	3000	2460	3980	4435	125	125	6	12	6000
	3300	2610	4280	4735	125	125	6	12	6000
	3500	2710	4480	4935	125	125	6	12	6000
	3700	2810	4680	5135	125	125	6	12	6000
	4000	3060	4980	5435	125	125	6	12	6000
	4500	3310	5480	5935	125	125	6	12	6000
	5000	3560	5980	6435	125	125	6	12	6000
	5500	3810	6480	6935	125	125	6	12	6000
6000	4060	6980	7435	125	125	6	12	5700	
Wide Visible Full-Free Lift Three-Stage Mast (FSV)	4000	2360	5060	5435	1365	990	6	6	5700
	4300	2460	5360	5735	1465	1090	6	6	5700
	4700	2550	5750	6135	1565	1180	6	6	5500
	5000	2810	6160	6435	1715	1440	6	6	5500
	6000	3110	7110	7435	2065	1740	6	6	5200
	7000	3560	8060	8435	2565	2190	6	6	3700

NOTE: Height of standard load backrest is 1370 mm.

8FD70N

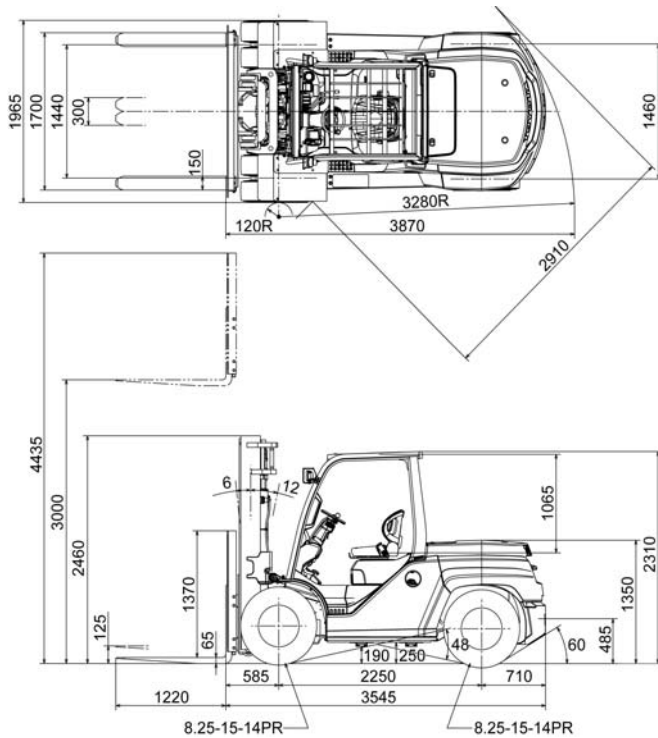
MAIN VEHICLE SPECIFICATIONS

Characteristics	Manufacturer			TOYOTA	
	Model			8FD70N	
	Load Capacity		kg	7000	
	Load Center		mm	600	
	Power Type			Diesel	
	Operator Position			Rider Seated	
Dimensions	Tire Type		Front/Rear	Pneumatic	
	Wheels (x = driven)		Front/Rear	4x/2	
	Maximum Fork Height (MFH)		mm	3000	
	Free Lift		mm	125	
	Fork Size		T x W x L	65X150X1220	
	Fork Spread (Outside)		MAX./MIN.	1700/300	
	Tilt Range		FWD/BWD	6/12	
	Length to Fork Face		mm	3545	
	Overall Width		mm	1965	
	Mast Lowered Height		mm	2460	
	Mast Extended Height		mm	4435	
	Overhead Guard Height		mm	2310	
	Turning Radius (Outside)		mm	3280	
	Load Distance (Centerline of front axle to front face of forks)		mm	585	
Rear Overhang		mm	710		
Basic Right Angle Stacking Aisle Width (Add load length and clearance)		mm	3870		
Performance	Speeds	Travel, Max. (FWD/RVS)	Full Load	km/h	19.0/19.0
			No Load	km/h	20.5/20.5
		Lifting	Full Load	mm/sec	410
			No Load	mm/sec	440
	Lowering	Full Load	mm/sec	530	
		No Load	mm/sec	480	
	Max. Drawbar Pull	Full Load	N <kg>	45000 <4590>	
		No Load	N <kg>	19500 <1990>	
Gradeability at 1.5km/h *	Full Load	% (tanθ)	21		
	No Load	% (tanθ)	30		
Max. Gradeability *	Full Load	% (tanθ)	21		
	No Load	% (tanθ)	21		
Weight	Total Weight		kg	9125	
	Weight Distribution	Full Load	Front	kg	14340
			Rear	kg	1785
		No Load	Front	kg	3650
Rear			kg	5475	
Wheels and Tires	Tires	Number	Front/Rear	4/2	
		Size	Front	8.25-15-14PR	
			Rear	8.25-15-14PR	
	Wheelbase		mm	2250	
	Tread	Front	mm	1440	
		Rear	mm	1460	
	Backrest Height		mm	1370	
	Overhead Guard Clearance		mm	1065	
	Counterweight Height		mm	1350	
	Drawbar Pin Center Height		mm	485	
	Step Height		1st/2nd	mm	295/545
	Floor Height		mm	860	
	Underclearance (Full Load)	Min. <Mast>	mm	125	
		Center of Wheelbase	mm	250	
	Grade Clearance		Frame/Counterweight	% (tanθ)	48/60
	Brake	Service (Foot)		Hydraulic	
Parking			Hand		
Drive Unit and Control	Battery		V/AH	12/64	
	Internal Combustion Engine			TOYOTA 14Z-II	
	Rated Horsepower/r.p.m.		kW (JIS ps)	66/2400 (90/2400)	
	Rated Torque/r.p.m.		N-m (JIS kg-m)	325/1000 (33.2/1000)	
	Number of Cylinder			6	
	Piston Displacement		cc	5204	
	Fuel Tank Capacity		liter	130	
	Transmission	Type		Powershift	
		Stage	FWD/RVS	1/1	
	Operating Pressure		For Attachments	Mpa (kg/cm ²)	20.6 (210)

NOTE : * Computed values.

DIMENSIONAL DRAWINGS 8FD70N

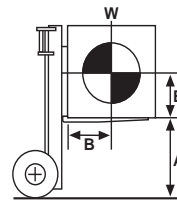
Unit: mm



UNDERCLEARANCE mm

Mast (Full Load).....	125
Drive Axle (Full Load)	205
Steer Axle (No Load)	265
Center of Wheelbase (Full Load).....	250
Counterweight (No Load)	225

RATED CAPACITIES 8FD70N



A: Max. Fork Height
B: Load Center
W: Capacity

V Mast (PN or PSC)

Unit: kg (W)

A (mm)	3000	3300	3500	3700	4000	4500	5000	5500	6000
600	7000	7000	7000	7000	7000	7000	7000	6700	6500
700	6460	6460	6460	6460	6460	6460	6460	6180	5990
760	6170	6170	6170	6170	6170	6170	6170	5900	5730
800	5990	5990	5990	5990	5990	5990	5990	5730	5560
900	5590	5590	5590	5590	5590	5590	5590	5350	5190
1000	5230	5230	5230	5230	5230	5230	5230	5010	4860
1100	4920	4920	4920	4920	4920	4920	4920	4710	4570
1200	4650	4650	4650	4650	4650	4650	4650	4450	4320
1300	4400	4400	4400	4400	4400	4400	4400	4210	4090
1400	4180	4180	4180	4180	4180	4180	4180	4000	3880
1500	3980	3980	3980	3980	3980	3980	3980	3810	3690

FSV Mast (PN or PSC)

Unit: kg (W)

A (mm)	4000	4300	4700	5000	6000	7000
600	6700	6700	6700	6700	6700	4000
700	6290	6190	6190	6190	6270	3700
760	5920	5920	5920	5920	6040	3540
800	5760	5760	5760	5760	4900	3440
900	5380	5380	5380	5380	4580	3210
1000	5050	5050	5050	5050	4290	3010
1100	4750	4750	4750	4750	4040	2840
1200	4490	4490	4490	4490	3820	2680
1300	4260	4260	4260	4260	3620	2540
1400	4050	4050	4050	4050	3440	2420
1500	3860	3860	3860	3860	3280	2300

SPECIAL TREAD

Model		8FD70N	
Front Tire	Single/Dual	Dual	Dual
Front Tire Size		8.25-15-14PR	8.25-15
Overall Width	mm	1965	1965
Tread, Front	mm	1440	1440

SPECIAL MAST

Wide Visible Full-Free Lift Three-Stage Mast (FSV)

Model		8FD70N
Type of Mast		FSV

PERFORMANCE

Speeds	Lifting	Full Load	mm/sec	400
		No Load	mm/sec	430
	Lowering	Full Load	mm/sec	490
		No Load	mm/sec	460

DIMENSIONS

Load Distance (Centerline of front axle to front face of forks)	mm	620
--	----	-----

MAST SPECIFICATIONS & RATED CAPACITIES

Wide Visible Mast (V), Wide Visible Full-Free Lift Three-Stage Mast (FSV)

8FD70N

Mast Type	Maximum Fork Height	Overall Height			Free Lift		Tilt Range		Load Capacity at 600 mm LC
		Lowered	Extended		Without Load Backrest	With Standard Load Backrest	FWD	BWD	
			Without Load Backrest	With Standard Load Backrest					Pneumatic Tire/ Pneumatic-Shaped Cushion Tire
		mm	mm	mm	mm	mm	mm	deg	deg
Wide Visible Mast (V)	3000	2460	3980	4435	125	125	6	12	7000
	3300	2610	4280	4735	125	125	6	12	7000
	3500	2710	4480	4935	125	125	6	12	7000
	3700	2810	4680	5135	125	125	6	12	7000
	4000	3060	4980	5435	125	125	6	12	7000
	4500	3310	5480	5935	125	125	6	12	7000
	5000	3560	5980	6435	125	125	6	12	7000
	5500	3810	6480	6935	125	125	6	12	6700
6000	4060	6980	7435	125	125	6	12	6500	
Wide Visible Full-Free Lift Three-Stage Mast (FSV)	4000	2360	5060	5435	1365	990	6	6	6700
	4300	2460	5360	5735	1465	1090	6	6	6700
	4700	2550	5750	6135	1565	1180	6	6	6700
	5000	2810	6160	6435	1715	1440	6	6	6700
	6000	3110	7110	7435	2065	1740	6	6	5700
	7000	3560	8060	8435	2565	2190	6	6	4000

NOTE: Height of standard load backrest is 1370 mm.

8FD80N

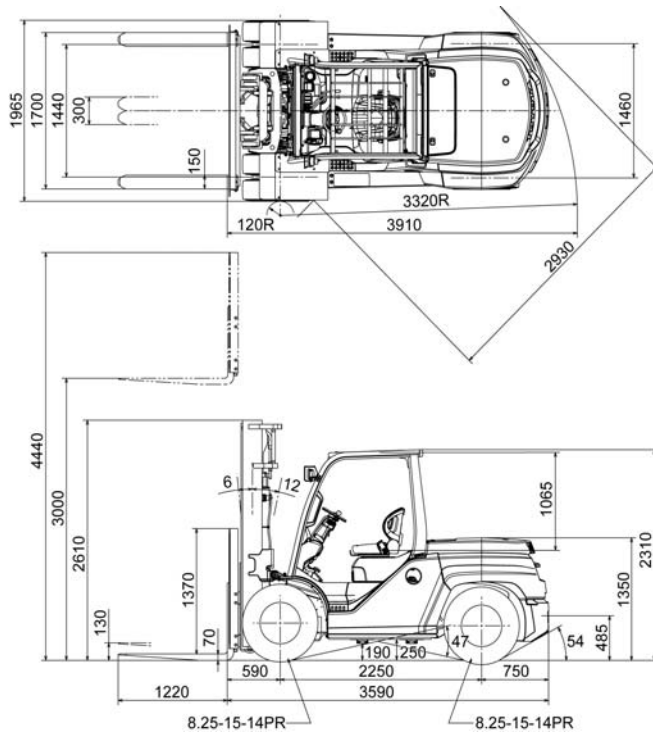
MAIN VEHICLE SPECIFICATIONS

Characteristics	Manufacturer			TOYOTA	
	Model			8FD80N	
	Load Capacity		kg	8000	
	Load Center		mm	600	
	Power Type			Diesel	
	Operator Position			Rider Seated	
Dimensions	Tire Type		Front/Rear	Pneumatic	
	Wheels (x = driven)		Front/Rear	4x/2	
	Maximum Fork Height (MFH)		mm	3000	
	Free Lift		mm	130	
	Fork Size		T x W x L	70X150X1220	
	Fork Spread (Outside)		MAX./MIN.	1700/300	
	Tilt Range		FWD/BWD	6/12	
	Length to Fork Face		mm	3590	
	Overall Width		mm	1965	
	Mast Lowered Height		mm	2610	
	Mast Extended Height		mm	4440	
	Overhead Guard Height		mm	2310	
	Turning Radius (Outside)		mm	3320	
	Load Distance (Centerline of front axle to front face of forks)		mm	590	
Rear Overhang		mm	750		
Basic Right Angle Stacking Aisle Width (Add load length and clearance)		mm	3910		
Performance	Speeds	Travel, Max. (FWD/RVS)	Full Load	km/h	19.0/19.0
			No Load	km/h	20.5/20.5
		Lifting	Full Load	mm/sec	370
			No Load	mm/sec	440
	Lowering	Full Load	mm/sec	530	
		No Load	mm/sec	480	
	Max. Drawbar Pull	Full Load	N <kg>	45000 <4590>	
		No Load	N <kg>	19300 <1970>	
Gradeability at 1.5km/h *	Full Load	% (tanθ)	19		
	Full Load	% (tanθ)	27		
Max. Gradeability *	Full Load	% (tanθ)	18		
	No Load	% (tanθ)	18		
Weight	Total Weight		kg	9980	
	Weight Distribution	Full Load	Front	kg	15880
			Rear	kg	2100
		No Load	Front	kg	3650
Rear			kg	6330	
Wheels and Tires	Tires	Number	Front/Rear	4/2	
		Size	Front	8.25-15-14PR	
			Rear	8.25-15-14PR	
	Wheelbase		mm	2250	
	Tread	Front	mm	1440	
		Rear	mm	1460	
	Backrest Height		mm	1370	
	Overhead Guard Clearance		mm	1065	
	Counterweight Height		mm	1350	
	Drawbar Pin Center Height		mm	485	
	Step Height		1st/2nd	295/545	
	Floor Height		mm	860	
	Underclearance (Full Load)	Min. <Mast>	mm	125	
		Center of Wheelbase	mm	250	
	Grade Clearance		Frame/Counterweight	% (tanθ)	47/54
	Brake	Service (Foot)		Hydraulic	
		Parking		Hand	
Drive Unit and Control	Battery		V/AH	12/70	
	Make/Model			TOYOTA 14Z- II	
	Internal Combustion Engine	Rated Horsepower/r.p.m.		kW (JIS ps)	66/2400 (90/2400)
		Rated Torque/r.p.m.		N-m (JIS kg-m)	325/1000 (33.2/1000)
		Number of Cylinder			6
		Piston Displacement		cc	5204
		Fuel Tank Capacity		liter	130
	Transmission	Type			Powershift
		Stage	FWD/RVS		1/1
	Operating Pressure		For Attachments	Mpa (kg/cm ²)	20.6 (210)

NOTE : * Computed values.

DIMENSIONAL DRAWINGS 8FD80N

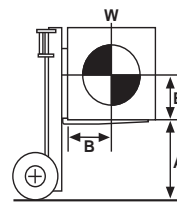
Unit: mm



UNDERCLEARANCE mm

Mast (Full Load).....	125
Drive Axle (Full Load)	215
Steer Axle (No Load)	265
Center of Wheelbase (Full Load).....	250
Counterweight (No Load)	220

RATED CAPACITIES 8FD80N



A: Max. Fork Height
B: Load Center
W: Capacity

V Mast (PN or PSC)

Unit: kg (W)

A (mm)	3000	3300	3500	3700	4000	4500	5000	5500	6000
600	8000	8000	8000	8000	8000	8000	8000	7700	7500
700	7380	7380	7380	7380	7380	7380	7380	7100	6920
760	7050	7050	7050	7050	7050	7050	7050	6790	6610
800	6850	6850	6850	6850	6850	6850	6850	6590	6420
900	6390	6390	6390	6390	6390	6390	6390	6150	5990
1000	5990	5990	5990	5990	5990	5990	5990	5760	5610
1100	5630	5630	5630	5630	5630	5630	5630	5420	5280
1200	5320	5320	5320	5320	5320	5320	5320	5120	4990
1300	5040	5040	5040	5040	5040	5040	5040	4850	4720
1400	4780	4780	4780	4780	4780	4780	4780	4600	4480
1500	4560	4560	4560	4560	4560	4560	4560	4380	4270

SPECIAL TREAD

Model		8FD80N	
Front Tire	Single/Dual	Dual	Dual
Front Tire Size		8.25-15-14PR	8.25-15
Overall Width	mm	1965	1965
Tread, Front	mm	1440	1440

MAST SPECIFICATIONS & RATED CAPACITIES

Wide Visible Mast (V)

8FD80N

Mast Type	Maximum Fork Height	Overall Height			Free Lift		Dual Tire		
		Lowered	Extended		Without Load Backrest	With Standard Load Backrest	Tilt Range		Load Capacity at 600 mm LC Pneumatic Tire/ Pneumatic-Shaped Cushion Tire
			Without Load Backrest	With Standard Load Backrest			FWD	BWD	
		mm	mm	mm	mm	mm	mm	deg	deg
Wide Visible Mast (V)	3000	2610	4085	4400	130	130	6	12	8000
	3300	2710	4385	4740	130	130	6	12	8000
	3500	2810	4585	4940	130	130	6	12	8000
	3700	3060	4785	5140	130	130	6	12	8000
	4000	3310	5085	5440	130	130	6	12	8000
	4500	3560	5585	5940	130	130	6	12	8000
	5000	3810	6085	6440	130	130	6	12	8000
	5500	4060	6585	6940	130	130	6	12	7700
	6000	4310	7085	7440	130	130	6	12	7500

NOTE: Height of standard load backrest is 1370 mm.

8FG/8FD35N.40N.45N.50N 8FD60N.70N.80N

INDEX: ○Standard
●Available

STANDARD EQUIPMENT

8FG/8FD35N.40N.45N.50N, 8FD60N.70N.80N

- Wide Visible Mast (V) [MFH: 3,000 mm] ●Load backrest (V and FSV masts) [Height: 1,220mm(8FG/FD35N,40N,45N)] [Height: 1,370mm(8FG/FD50N,8FD60N,70N,80N)]
- Alternator with IC regulator ●Intake heater (Diesel engine models) ●Super glow control system (Diesel engine models) ●Sedimenter (Diesel engine models)
- Same key for multiple forklifts ●2-stator T/C ●Rear combination lights ●Tilt cylinder boots ●Radiator screen ●Cyclone air cleaner with snorkel air intake
- Engine protection system (Gasoline engine models) ●Electronic fuel injection system (Gasoline engine models) ●Radiator reservoir tank
- Operator Presence Sensing System (OPS) ●Double-action parking brake ●Assist grip ●Neutral safety switch ●Electrical shift control ●Full hydraulic power steering
- Tilt steering column ●Overhead guard sheet ●Overhead guard ●Hidden tilt cylinder ●Engine hood damper (Lockable) ●Jack point ●Drawbar pin
- Engine hood insulator ●Headlights ●Headlights guard ●Rear combination lights ●Integrated light & turn signal switch ●Hour meter ●Engine water temperature indicator
- Fuel meter ●Engine oil pressure warning light ●Charge warning lights ●Pre-heat indicator light (Diesel engine models) ●Sedimenter warning light (Diesel engine models)
- Electric horn ●Cup holder ●ORS seat

OPTIONS AVAILABILITY CHART

Item	Model Code	8FG	8FD	8FG	8FD	8FG	8FD	8FG	8FD	8FG	8FD	8FG	8FD
		35N	35N	40N	40N	45N	45N	50N	50N	60N	70N	80N	
LOAD HANDLING													
Full-free Lift 3-stage Mast (FSV)	★	M00D*	●	●	●	●	●	●	●	●	●	●	●
Full-free Lift 2-stage Mast (FV)	1) ★	M00F*	●	●	●	●	●	●	●	●	●	●	●
Heavy Duty Mast	2) ★	M03A	●	●	●	●	●	●	●	●	●	●	●
Fully Oil Charged Lift Cylinder	3) ☆★	M09A	●	●	●	●	●	●	●	●	●	●	●
Long Forks	☆☆	M20A*	●	●	●	●	●	●	●	●	●	●	●
w/o Fork Set		M20N	●	●	●	●	●	●	●	●	●	●	●
Additional Forks		M29A*	●	●	●	●	●	●	●	●	●	●	●
Long Forkbar	☆☆	M30A*	●	●	●	●	●	●	●	●	●	●	●
High Load Backrest (Flat Steel Type)	☆☆	M33A	●	●	●	●	●	●	●	●	●	●	●
High Load Backrest (Angle Shape Type)	☆☆	M40A*	●	●	●	●	●	●	●	●	●	●	●
w/o Backrest	★	M40N	●	●	●	●	●	●	●	●	●	●	●
High Load Backrest when Ordering FV Mast	4) ★	M41B	●	●	●	●	●	●	●	●	●	●	●
Mast Tilt Indication		N14A	●	●	●	●	●	●	●	●	●	●	●
Tilt Cylinder Hole Boots	★	K35A	●	●	●	●	●	●	●	●	●	●	●
Sleeved Forks	☆☆	P10A*	●	●	●	●	●	●	●	●	●	●	●
ENGINE													
LPG Fuel System Exclusive Type (Z4)	5) ☆★	C00A	●	●	●	●	●	●	●	●	●	●	●
LPG Fuel System Convertible Type (Z3)	6) ☆★	C00B	●	●	●	●	●	●	●	●	●	●	●
LPG Fuel System (Australian Spec.) (Z3)	7) ★	C00D	●	●	●	●	●	●	●	●	●	●	●
LPG Fuel System (New Zealand Spec.) (Z3)	7) ★	C00L	●	●	●	●	●	●	●	●	●	●	●
w/o LPG Cylinder 20kg	★	C01N	●	●	●	●	●	●	●	●	●	●	●
Damper Assisted Swing Down Bracket	★	C03F	●	●	●	●	●	●	●	●	●	●	●
w/o LPG Cylinder Bracket	8) ★	C03N	●	●	●	●	●	●	●	●	●	●	●
LPG Fuel System (Russian Spec.) (Z3)	9) ★	C04C	●	●	●	●	●	●	●	●	●	●	●
Upswept Exhaust	★	C10A	●	●	●	●	●	●	●	●	●	●	●
Catalytic Muffler	★	C11A	●	●	●	●	●	●	●	●	●	●	●
3-Way Catalytic Converter System	★	C11D	●	●	●	●	●	●	●	●	●	●	●
Spark Guard Net	★	C12A	●	●	●	●	●	●	●	●	●	●	●
LPG Fuel System w/Drain-equipped Regulator	10) ★	C14A	●	●	●	●	●	●	●	●	●	●	●
Cyclone Air Cleaner (Dual Elements)	★	C15B	●	●	●	●	●	●	●	●	●	●	●
Pre-cleaner	★	C16A	●	●	●	●	●	●	●	●	●	●	●
Long Life Coolant 50%	★	C19B	●	●	●	●	●	●	●	●	●	●	●
LPG Connector Valve	10) ★	C20O	●	●	●	●	●	●	●	●	●	●	●
Diesel Particulate Filter-II	11) ★	C21A	●	●	●	●	●	●	●	●	●	●	●
Plate Fin Type Radiator	12) ★	C27A	●	●	●	●	●	●	●	●	●	●	●
LPG Remaining Fuel Warning Device	★	C28A	●	●	●	●	●	●	●	●	●	●	●
Cooling Fan Booster Kit	★	C55A	●	●	●	●	●	●	●	●	●	●	●
High-capacity Alternator	☆☆	D05A	●	●	●	●	●	●	●	●	●	●	●
High-capacity Battery	★	D20A	●	●	●	●	●	●	●	●	●	●	●
w/o Intake Heater	13) ★	D24N	●	●	●	●	●	●	●	●	●	●	●
12V Power Supply RR (ON-OFF of Key)	★	D60C	●	●	●	●	●	●	●	●	●	●	●
12V Power Supply RR (ON-OFF of Reverse)	★	D60D	●	●	●	●	●	●	●	●	●	●	●
Anti-restart Ignition Key Switch	★	E26A	●	●	●	●	●	●	●	●	●	●	●

- ★ Please see the "Matching Options"
- ☆ Please see the chart below for the item

OPTIONS AVAILABILITY CHART

INDEX: ○Standard
●Available

Item	Model Code	8FG	8FD	8FG	8FD	8FG	8FD	8FG	8FD	8FG	8FD	8FG	8FD
		35N	35N	40N	40N	45N	45N	50N	50N	60N	60N	70N	80N
LIGHT AND INDICATORS													
Yellow Beacon On Overhead Guard (Key ON Position)	★	J19A	●	●	●	●	●	●	●	●	●	●	●
Yellow Strobe Light On Overhead Guard (Key ON Position)	★	J19I	●	●	●	●	●	●	●	●	●	●	●
Front Combination Lights	★	J20B	●	●	●	●	●	●	●	●	●	●	●
w/o Rear Combination Lights	★	J21N	●	●	●	●	●	●	●	●	●	●	●
LED Headlights	★	J24L	●	●	●	●	●	●	●	●	●	●	●
LED Rear Working Light	★	J26A	●	●	●	●	●	●	●	●	●	●	●
LED Rear Working Light (Selective Lighting Condition)	★	J26C	●	●	●	●	●	●	●	●	●	●	●
Key off Headlights off System	★	J39A	●	●	●	●	●	●	●	●	●	●	●
Head Lights Guard (for Front Combination Lights)	14) ★	K03A	●	●	●	●	●	●	●	●	●	●	●
Back-up Buzzer	★	K21D	●	●	●	●	●	●	●	●	●	●	●
OK-Monitor	★	L09A	●	●	●	●	●	●	●	●	●	●	●
Multifunction Display	15) ★	L26A	●	●	●	●	●	●	●	●	●	●	●
Deluxe Multifunction Display	16) ★	L26B	●	●	●	●	●	●	●	●	●	●	●
BODY													
Fuel Tank Cap with Key	★	C09A	●	●	●	●	●	●	●	●	●	●	●
Torque-converter Interlock	17) ★	E17A	●	●	●	●	●	●	●	●	●	●	●
Mini Lever	18) ★	E45A	●	●	●	●	●	●	●	●	●	●	●
Joystick	18) ★	E45B	●	●	●	●	●	●	●	●	●	●	●
Suspension Seat w/ Damper	★	G40E	●	●	●	●	●	●	●	●	●	●	●
Swivel Seat (Vinyl)	★	G41F	●	●	●	●	●	●	●	●	●	●	●
Floor Mat	★	G80A	●	●	●	●	●	●	●	●	●	●	●
Steel Cabin	★	H00H	●	●	●	●	●	●	●	●	●	●	●
w/o Overhead Guard Sheet	★	H01N	●	●	●	●	●	●	●	●	●	●	●
Front Windshield w/ Wiper and Washer	★	H02D	●	●	●	●	●	●	●	●	●	●	●
Heater	19) ★	H11A	●	●	●	●	●	●	●	●	●	●	●
Defroster	20) ★	H12A	●	●	●	●	●	●	●	●	●	●	●
Low Height Headguard (2200mm)	21) ★	H35A				●	●	●	●				
Rear-view Mirrors (Right and left sides)		J10B	●	●	●	●	●	●	●	●	●	●	●
Power Steering Cylinder Boots	★	K14A	●	●	●	●	●	●	●	●	●	●	●
Cooling Fan Guard	★	K66A	●	●	●	●	●	●	●	●	●	●	●
Front Mud Guard	★	K67A	●	●	●	●	●	●	●	●	●	●	●
Rear-pillar Assist Grip	★	L37A	●	●	●	●	●	●	●	●	●	●	●
Tool, Standard Set (A Set)	★	S00B	●	●	●	●	●	●	●	●	●	●	●
Tool, Standard Set (B Set)	★	S00C	●	●	●	●	●	●	●	●	●	●	●
Document Box		S04A	●	●	●	●	●	●	●	●	●	●	●
Name Plate (Spanish)	★	S31B	●	●	●	●	●	●	●	●	●	●	●
Name Plate (Chinese)	★	S31C	●	●	●	●	●	●	●	●	●	●	●
Name Plate (French)	★	S31E	●	●	●	●	●	●	●	●	●	●	●
Name Plate (Russian)	★	S31F	●	●	●	●	●	●	●	●	●	●	●
Name Plate (Taiwanese)	★	S31G	●	●	●	●	●	●	●	●	●	●	●
Name Plate (Portuguese)	★	S31K	●	●	●	●	●	●	●	●	●	●	●
OPS Decal	★	S35A	●	●	●	●	●	●	●	●	●	●	●
WHEELS AND TIRES													
Pneumatic Tire	☆		●	●	●	●	●	●	●	●	●	●	●
Pneumatic-shaped Cushion Tire	☆		●	●	●	●	●	●	●	●	●	●	●
SPECIAL MODELS													
China Certification Spec.	22) ★	A10R	●	●	●	●	●	●	●	●	●	●	●
Australian Spec.	15) ★	A20B	●	●	●	●	●	●	●	●	●	●	●
Russian Spec.	23) ★	A20C	●	●	●	●	●	●	●	●	●	●	●
Malaysia, Singapore Spec.	24) ★	A20K	●	●	●	●	●	●	●	●	●	●	●
High-capacity Cooling Spec.	25) ★	A26A	●	●	●	●	●	●	●	●	●	●	●
System of Active Stability (SAS)	★	A41A	●	●	●	●	●	●	●	●	●	●	●
Cold Area Package	11) ★	B01A	●	●	●	●	●	●	●	●	●	●	●
Low-noise Model	★	B11A	●	●	●	●	●	●	●	●	●	●	●

- 1) Includes M09A (No necessary to specify).
If backrest is required when selecting FV mast, must specify with M41B
- 2) Only available when mounting on FSV mast, control valve for 4-way or 5 way valve or A4 Piping Not available for FSV6000
- 3) Standard with FV mast (Not necessary to specify)
- 4) Only available for FV mast
- 5) Must specify with C01N and C20O
- 6) Must specify with C01N
- 7) Must specify with C00B and C01N
- 8) Must specify with C00A or C00B
Must specify with C01N
- 9) Must specify with C00B, C01N, C19B, D05A, D20A, J10B, J20B, K21D and S31F
- 10) Must specify with C00A or C00B
- 11) Includes D05A
- 12) Must specify with C55A
- 13) Available for south-eastern Asia, Hong Kong, Middle and Near East, Latin America (excludes Argentina and Chile), Oceania and Africa
- 14) Must specify with J20B

- 16) Must specify with A41A
Must specify with E26A for 1FS engine model
- 17) Must specify with A41A, Must specify with L26A or L26B
- 18) Must specify with A41A, Must specify with L26A or L26B
Includes S04A (Not necessary to specify)
- 19) Includes D05A (Not necessary to specify)
- 20) Must specify with one of H00H, H02D, H02I and H02L
Must specify with H11A, Includes D05A
- 21) Specification explanation should be given to a customer
- 22) Must specify J20B, K21D and S31C for China
- 23) Must specify with C19B, J10B, J20B, K21D and S31F
- 24) Must specify for Malaysia, Singapore
- 25) Includes C55A

★ Please see the "Matching Options"
☆ Please see the chart below for the item

FULLY OIL CHARGED LIFT CYLINDER

INDEX: ○Standard
●Available

Model	Mast Type	
8FG/8FD 35N.40N.45N	V	●
	FV	○
	FSV	●
8FG/8FD50N	V	●
	FSV	●
8FD60N.70N	V	●
	FSV	●
8FD80N	V	●

MAST INTERCHANGEABILITY

Mast Type	Wide Visible Mast (V)	Wide Visible Full-Free Lift Two-Stage Mast (FV)	Wide Visible Full-Free Lift Three-Stage Mast (FSV)
8FG/8FD35N, 40N	●	●	●
8FG/8FD45N	●	●	●
8FG/8FD50N	●	—	●
8FD60N.70N	●	—	●
8FD80N	●	—	—

NOTE: ● Mast may be interchanged with models within the same group.

MAST WEIGHT

Mast Type	Maximum Fork Height	Model							
		STD Mast						Heavy Duty Mast	
		8FG/8FD 35N	8FG/8FD 40N	8FG/8FD 45N	8FG/8FD 50N	8FD 60N.70N	8FD 80N	8FG/8FD 35N	8FG/8FD 40N
mm	kg	kg	kg	kg	kg	kg	kg	kg	
Wide Visible Mast (V)	2500	—	—	—	1040	—	—	—	—
	2700	—	—	—	1080	—	—	—	—
	3000	830	840	990	1110	1370	1450	980	980
	3300	870	870	1030	1150	1410	1480	1020	1020
	3500	890	900	1060	1250	1440	1510	1050	1050
	3700	910	920	1100	1250	1480	1620	1090	1090
	4000	990	1000	1200	1320	1610	1710	1190	1190
	4500	1050	1050	1280	1390	1680	1780	1260	1260
	5000	1100	1100	1350	1460	1750	1860	1330	1330
	5500	1170	1170	1420	—	1820	1920	1400	1400
6000	1220	1220	—	—	1880	2000	—	—	
Wide Visible Full-Free Lift Two-Stage Mast (FV)	3000	860	860	1080	—	—	—	—	—
	3300	900	900	1130	—	—	—	—	—
	3500	920	920	1160	—	—	—	—	—
	3700	950	950	1200	—	—	—	—	—
	4000	1030	1030	1300	—	—	—	—	—
Wide Visible Full-Free Lift Three-Stage Mast (FSV)	3700	—	—	—	1450	—	—	—	—
	4000	1120	1120	1380	1480	1760	—	—	—
	4300	1140	1140	1410	1520	1810	—	—	—
	4500	1160	1160	1450	—	—	—	—	—
	4700	1180	1180	1480	1560	1850	—	—	—
	5000	1220	1220	1520	1660	2010	—	—	—
	5500	1260	1260	1620	1750	—	—	—	—
	6000	1370	1370	1710	1860	2150	—	—	—
	6500	1450	1450	1820	—	—	—	—	—
7000	1540	1540	—	—	2700	—	—	—	

CAUTION:

The figures are without load backrest and forks.
The figures presented in this chart have been rounded off to the nearest number.
Use caution when applying them to specific products.

LOAD DISTANCE

Model	Standard Mast			w/ Front Mud Guard			Heavy-duty Mast
	V mast	FV mast	FSV mast	V mast	FV mast	FSV mast	
8FG/8FD 35N.40N	505	505	535	515	515	535	545
8FG/8FD 45N	545	545	575	575	575	575	—
8FG/8FD 50N	555	—	585	585	—	585	—
8FG/8FD 60N	580	—	615	—	—	—	—
8FG/8FD 70N	585	—	620	—	—	—	—
8FG/8FD 80N	590	—	—	—	—	—	—

LONG FORKS

Unit: mm

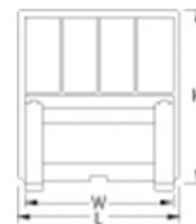
Model	Fork Length	Width	Thickness	Long Forks
8FG/8FD 35N.40N.45N	1070	150	50	○
	1220			●
	1370			●
	1520			●
	1670			●
	1820			●
8FG/8FD50N	1220	150	60	○
	1520			●
	1820			●
	1970			●
8FD60N	1220	150	65	○
	1370			●
	1520			●
	1670			●
8FD70N	1220	150	65	○
	1370			●
	1520			●
	1670			●
8FD80N	1220	150	70	○
	1520			●
	1820			●

SLEEVED FORKS

Model	Fork Length	Sleeved Fork Length				
		1370	1520	1670	1820	1970
8FG/8FD 35N.40N.45N	1070	●	●			
	1220	●	●			
	1370			●	●	●
	1520			●	●	●
	1670					●
	1820					
8FG/8FD50N	1220		●	●	●	
	1520				●	●
	1820					●
	1970					
8FD60N	1220		●	●	●	
	1370			●	●	●
	1520				●	●
	1670					●
8FD70N	1220		●	●	●	●
	1370			●	●	●
	1520				●	●
	1670					●
8FD80N	1220					●
	1820					●

LONG FORKBAR AND HIGH LOAD BACKREST

Model	L	W	(1320)	(1470)	(1620)	(1780)	(1860)	(2080)
			<1330> [1195]	[1345]	[1495]	[1655]	[1725]	[1955]
8FG/8FD 35N.40N.45N	1070		●					
	1220		○	●	●	●		●
	1370		●					
	1520		●					
	1670		●					
	1820		●					
8FG/8FD50N	1370		○				●	
	1520						●	
	1670						●	
	1820						●	
8FD 60N.70N.80N	1370						○	
	1520						●	
	1670						●	
8FD80N	1220						○	
	1820						●	



L: Outside width of load backrest
W: Length of forkbar
H: Height of load backrest

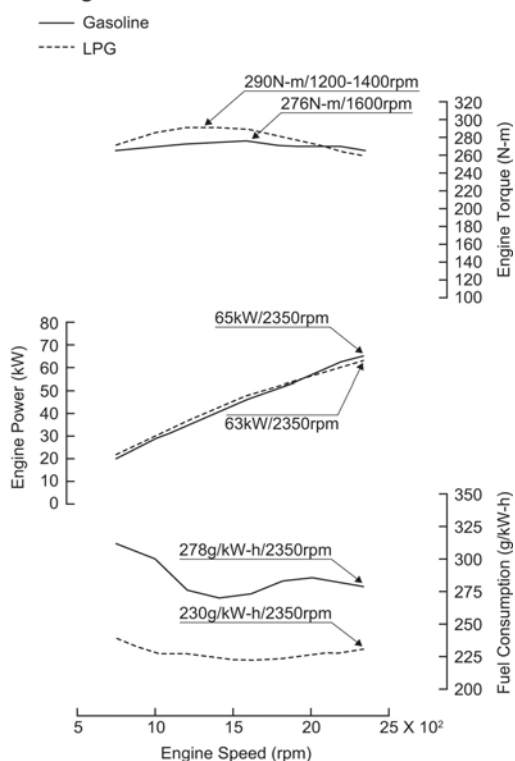
NOTE : () for angle type load backrest.
< > for 8FG/8FD50N model.
[] for flat steel type load backrest.

AVAILABILITY OF LPG FUEL SYSTEM CHART

Model	8FG35N,40N,45N,50N
Engine Model	1FS
Convertible Type	
Damper Assisted Swing Down Bracket	○
LPG Fuel System Regulator	○
LPG Fuel System with Drain-equipped Regulator	●
Engine Speed Sensor LPG Cutoff Device	○
Fuel Control (Electronic Fuel Injection/Electronic LPG Mixer)	○
Without Bracket	●
Without Cylinder 20 kg	●
LPG Remaining Fuel Warning Device	●
LPG Connector Valve	●
Exclusive Type	
Damper Assisted Swing Down Bracket	○
LPG Fuel System Regulator	○
LPG Fuel System with Drain-equipped Regulator	●
Engine Speed Sensor LPG Cutoff Device	○
Fuel Control (Electronic LPG Mixer)	○
Without Bracket	●
Without Cylinder 20 kg	●
LPG Remaining Fuel Warning Device	●
LPG Connector Valve	●

ENGINE PERFORMANCE CURVE (LP-GAS)

1FS Engine



HIGH CAPACITY ALTERNATOR

Model	8FG/8FD 35N. 40N. 45N. 50N 8FD 60N. 70N. 80N
Standard (V-A)	12-60 <12-50>
High-capacity (V-A)	12-80 <12-60>

NOTE: < > for Diesel truck.

TIRE AVAILABILITY

Model	Tire Arrangement		Pneumatic Tire				Pneumatic-Shaped Cushion Tire		
			Tire size	Rim size (Type)	J-Lug	Special	Tire size	Rim size (Type)	J-Lug
8FG/8FD35N	Front	Single	250-15-16 PR	7.00-15 (Side-Ring)	○		250-15	7.00-15 (Side Ring)	●
		Dual	28×8-15-12 PR	6.00S-15 (Side-Ring)	●		7.00-15	6.00S-15 (Side Ring)	●
	Rear		7.00-12-12 PR	5.00S-12 (Divided)	○		7.00-12	5.00S-12 (Divided)	●
			7.00-12-12 PR	5.00S-12 (Side-Ring)	●		7.00-12	5.00S-12 (Side-Ring)	●
8FG/8FD40N	Front	Single	250-15-16 PR	7.00 (Side Ring)	○		250-15	7.00-15 (Side Ring)	●
		Dual	28×8-15-12 PR	6.00S-15 (Side-Ring)	●		7.00-15	6.00S-15 (Side Ring)	●
	Rear		7.00-12-12 PR	5.00S-12 (Divided)	○		7.00-12	5.00S-12 (Side Ring)	●
			7.00-12-12 PR	5.00S-12 (Side-Ring)	●				
8FG/8FD45N	Front	Single	300-15-18 PR	8.00-15 (Side-Ring)	○		300-15	8.00-15 (Side Ring)	●
		Dual	8.25-15-14 PR	6.50-15 (Side Ring)		●	8.25-15	6.50-15 (Side Ring)	
	Rear		7.00-12-12 PR	5.00S-12 (Divided)	○		7.00-12	5.00S-12 (Side Ring)	●
			7.00-12-12 PR	5.00S-12 (Side-Ring)	●				
8FG/8FD50N	Front	Single	300-15-18 PR	8.00-15 (Side-Ring)	○		300-15	8.00-15 (Side Ring)	●
		Dual	8.25-15-14 PR	6.50-15 (Side-Ring)		●	8.25-15	6.50-15 (Side Ring)	
	Rear		7.00-12-14 PR	5.00S-12 (Side-Ring)	○		7.00-12	5.00S-12 (Side-Ring)	●
8FD60N, 70N, 80N	Front	Dual	8.25-15-14 PR	6.50-15 (Side Ring)	○		8.25-15	6.50-15 (Side Ring)	●
	Rear		8.25-15-14 PR	6.50-15 (Side Ring)	○		8.25-15	6.50-15 (Side Ring)	●

